



# P.I.T.<sup>®</sup>

Progressive Innovational Technology



PRODUCT PASSPORT  
USER'S MANUAL



ПАСПОРТ ИЗДЕЛИЯ  
ИНСТРУКЦИЯ ПОЛЬЗОВАТЕЛЯ

**CORDLESS MULTI-FUNCTION TOOL**

**АККУМУЛЯТОРНЫЙ**

**МНОГОФУНКЦИОНАЛЬНЫЙ ИНСТРУМЕНТ**



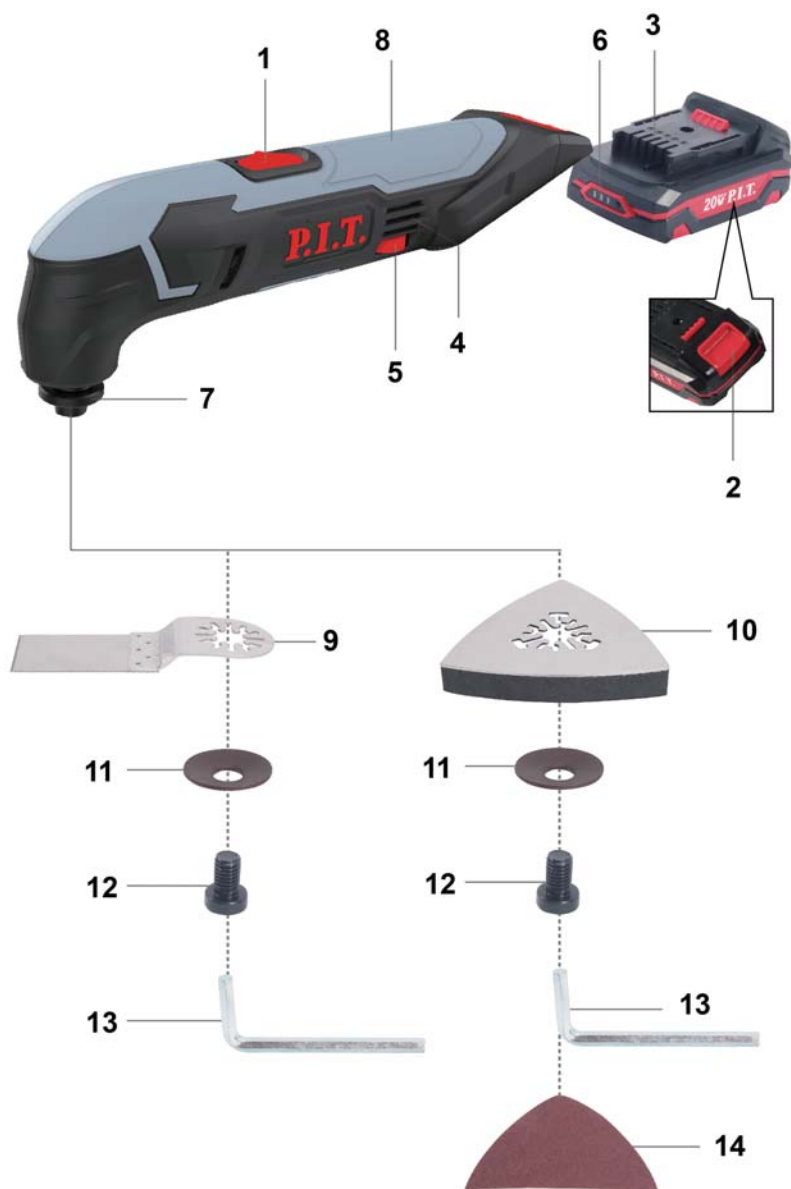
**EAC**

**PMT20H-035A**

**PROGRESSIVE INNOVATIONAL TECHNOLOGY**

**ПРОГРЕССИВНЫЕ ИННОВАЦИОННЫЕ ТЕХНОЛОГИИ**





## English

### Safety Notes

#### General Power Tool Safety Warnings

**⚠ WARNING Read all safety warnings and all instructions.**

Failure to follow the warnings and instructions may result in electric shock, fire and/or serious injury.

**Save all warnings and instructions for future reference.** The term “power tool” in the warnings refers to your mains- operated (corded) power tool or battery-operated (cordless) power tool.

#### Work area safety

- ▶ **Keep work area clean and well lit.** Cluttered or dark areas invite accidents.
- ▶ **Do not operate power tools in explosive atmospheres, such as in the presence of flammable liquids, gases or dust.** Power tools create sparks which may ignite the dust or fumes.
- ▶ **Keep children and bystanders away while operating a power tool.** Distractions can cause you to lose control.

#### Electrical safety

- ▶ **Power tool plugs must match the outlet. Never modify the plug in any way. Do not use any adapter plugs with earthed (grounded) power tools.** Unmodified plugs and matching outlets will reduce risk of electric shock.
- ▶ **Avoid body contact with earthed or grounded surfaces, such as pipes, radiators, ranges and refrigerators.** There is an increased risk of electric shock if your body is earthed or grounded.
- ▶ **Do not expose power tools to rain or wet conditions.** Water entering a power tool will increase the risk of electric shock.
- ▶ **Do not abuse the cord. Never use the cord for carrying, pulling or unplugging the power tool. Keep cord away from heat, oil, sharp edges and moving parts.** Damaged or entangled cords increase the risk of electric shock.
- ▶ **When operating a power tool outdoors, use an extension cord suitable for outdoor use.** Use of a cord suitable for outdoor use reduces the risk of electric shock.
- ▶ **If operating a power tool in a damp location is unavoidable, use a residual current device (RCD) protected supply.** Use of an RCD reduces the risk of electric shock.

#### Personal safety

- ▶ **Stay alert, watch what you are doing**

**and use common sense when operating a power tool. Do not use a power tool while you are tired or under the influence of drugs, alcohol or medication.**

A moment of inattention while operating power tools may result in serious personal injury.

- ▶ **Use personal protective equipment. Always wear eye protection.** Protective equipment such as dust mask, nonskid safety shoes, hard hat, or hearing protection used for appropriate conditions will reduce personal injuries.
- ▶ **Prevent unintentional starting. Ensure the switch is in the off-position before connecting to power source and/or battery pack, picking up or carrying the tool.** Carrying power tools with your finger on the switch or energising power tools that have the switch on invites accidents.
- ▶ **Remove any adjusting key or wrench before turning the power tool on.** A wrench or a key left attached to a rotating part of the power tool may result in personal injury.
- ▶ **Do not overreach. Keep proper footing and balance at all times.** This enables better control of the power tool in unexpected situations.
- ▶ **Dress properly. Do not wear loose clothing or jewellery. Keep your hair, clothing and gloves away from moving parts.** Loose clothes, jewellery or long hair can be caught in moving parts.
- ▶ **If devices are provided for the connection of dust extraction and collection facilities, ensure these are connected and properly used.** Use of dust collection can reduce dust-related hazards.

#### Power tool use and care

- ▶ **Do not force the power tool. Use the correct power tool for your application.** The correct power tool will do the job better and safer at the rate for which it was designed.
- ▶ **Do not use the power tool if the switch does not turn it on and off.** Any power tool that cannot be controlled with the switch is dangerous and must be repaired.
- ▶ **Disconnect the plug from the power source and/or the battery pack from the power tool before making any adjustments, changing accessories, or storing power tools.** Such preventive safety measures reduce the risk of starting the power tool accidentally.

- ▶ **Store idle power tools out of the reach of children and do not allow persons unfamiliar with the power tool or these instructions to operate the power tool.** Power tools are dangerous in the hands of untrained users.
- ▶ **Maintain power tools. Check for misalignment or binding of moving parts, breakage of parts and any other condition that may affect the power tool's operation. If damaged, have the power tool repaired before use.** Many accidents are caused by poorly maintained power tools.
- ▶ **Keep cutting tools sharp and clean.** Properly maintained cutting tools with sharp cutting edges are less likely to bind and are easier to control.
- ▶ **Use the power tool, accessories and tool bits etc. in accordance with these instructions, taking into account the working conditions and the work to be performed.** Use of the power tool for operations different from those intended could result in a hazardous situation.

#### Battery tool use and care

- ▶ **Recharge only with the charger specified by the manufacturer.** A charger that is suitable for one type of battery pack may create a risk of fire when used with another battery pack.
- ▶ **Use power tools only with specifically designated battery packs.** Use of any other battery packs may create a risk of injury and fire.
- ▶ **When battery pack is not in use, keep it away from other metal objects, like paper clips, coins, keys, nails, screws or other small metal objects, that can make a connection from one terminal to another.** Shorting the battery terminals together may cause burns or a fire.
- ▶ **Under abusive conditions, liquid may be ejected from the battery; avoid contact. If contact accidentally occurs, flush with water. If liquid contacts eyes, additionally seek medical help.** Liquid ejected from the battery may cause irritation or burns.

#### Service

- ▶ **Have your power tool serviced by a qualified repair person using only identical replacement parts.** This will ensure that the safety of the power tool is maintained.

#### Safety information for multi-cutters

- ▶ **Hold power tool by insulated gripping surfaces, when performing an operation where the cutting accessory may contact hidden wiring.** Cutting accessory contacting a "live" wire may make exposed metal parts of the power tool "live" and could give the operator an electric shock.
- ▶ **Only use the power tool for dry sanding.** Water entering a power tool will increase the risk of electric shock.
- ▶ **Warning: Danger of fire! Avoid overheating the workpiece and the sander. Always empty the dust collector before taking a break from work.** Sanding dust in the dust bag, microfilter, paper bag (or in the filter bag or vacuum cleaner filter) can spontaneously combust under certain conditions, for example if flying sparks are created when sanding metals. This risk is increased if the sanding dust is mixed with paint or polyurethane residue or with other chemical substances and if the workpiece is hot as a result of prolonged work.
- ▶ **Keep hands away from the sawing area. Do not reach under the workpiece.** Contact with the saw blade can lead to injuries.
- ▶ **Clean the air vents on your power tool regularly.** The motor's fan will draw the dust inside the housing and excessive accumulation of powdered metal may cause electrical hazards.
- ▶ **Use suitable detectors to determine if there are hidden supply lines or contact the local utility company for assistance.** Contact with electric cables can cause fire and electric shock. Damaging gas lines can lead to explosion. Breaking water pipes causes property damage.
- ▶ **Hold the power tool firmly with both hands and make sure you have a stable footing.** The power tool can be more securely guided with both hands.
- ▶ **When changing the application tool, wear protective gloves.** Application tools can become hot when used for prolonged periods of time.
- ▶ **Do not scrape any dampened materials (e.g. wallpaper) or on damp surfaces.** Water entering a power tool increases the risk of electric shock.
- ▶ **Do not treat the surface you will be working on with any fluids that contain solvents.** Poisonous vapours may devel-

op due to the materials heating up when being scraped.

- ▶ **Take particular care when handling scrapers and blades.** The application tools are very sharp. Danger of injury.
- ▶ **Secure the workpiece.** A workpiece clamped with clamping devices or in a vice is held more secure than by hand.
- ▶ **In case of damage and improper use of the battery, vapours may be emitted.** Ensure the area is well-ventilated and seek medical attention should you experience any adverse effects. The vapours may irritate the respiratory system.
- ▶ **Do not open the battery.** There is a risk of short-circuiting.
- ▶ **The battery can be damaged by pointed objects such as nails or screwdrivers or by force applied externally.** An internal short circuit may occur, causing the battery to burn, smoke, explode or overheat.
- ▶ **Only use the battery with products from the manufacturer.** This is the only way in which you can protect the battery against dangerous overload.



**Protect the battery against heat, e.g. against continuous intense sunlight, fire, water, and moisture.** There is a risk of explosion.

## Product Description and Specifications



**Read all safety warnings and all instructions.** Failure to follow the warnings and instructions may result in electric shock, fire and/or serious injury.

### Intended Use

The power tool is intended for sawing and cutting woodbased materials, plastic, plasterboard, non-ferrous metals and mounting elements (e.g. non-hardened nails, clamps). It is also suitable for working on soft wall tiles and for dry sanding and scraping of small areas. It is ideal for working close to edges and flush with surfaces. The power tool must only be operated using Bosch accessories.

### Technical Data

| Model                           | PMT20H-035A    |
|---------------------------------|----------------|
| Voltage                         | DC 20V         |
| No-load speed                   | 5000-19000/min |
| Oscillation angle on left/right | 3.2°           |

| Model  | PMT20H-035A    |
|--|----------------|
| Совместимая аккумуляторная батарея (наличие зависит от комплекта поставки) | PH20-2.0 (2Ач) |
|  | PH20-3.0 (3Ач) |
|  | PH20-4.0 (4Ач) |
|  | PH20-5.0 (5Ач) |
|  | PH20-6.0 (6Ач) |
| Совместимое зарядное устройство (наличие зависит от комплекта поставки)    | PH20-2.4A      |
|  | PH20-3.0A      |

### Note

Since the product is constantly being improved, P.I.T. reserves the right to make changes to the specifications and product specifications specified here without prior notice.

### Product Features

The numbering of the product features refers to the illustration of the machine on the graphics page.

- (1) On/off switch
- (2) Battery release button
- (3) Battery
- (4) Ventilation slots
- (5) Orbital stroke rate preselection thumb-wheel
- (6) Battery charge indicator
- (7) Tool holder
- (8) Handle (insulated gripping surface)
- (9) Plunge cut saw blade
- (10) Sanding plate
- (11) Washer
- (12) Clamping bolt
- (13) Hex key
- (14) Sanding sheet

### Fitting

- ▶ **Remove the battery from the power tool before carrying out work on the power tool (e.g. maintenance, changing tool, etc.). The battery should also be removed for transport and storage.** There is risk of injury from unintentionally pressing the on/off switch.

### Charging the battery

- ▶ **Use only the chargers listed in the technical data.** Only these chargers are matched to the lithium-ion battery of your power tool.

**Note:** The battery is supplied partially charged. To ensure full battery capacity, fully charge the battery in the charger before using your power tool for the first time.

The lithium-ion battery can be charged at any time without reducing its service life. Interrupt-

ing the charging process does not damage the battery.

The lithium-ion battery is protected against deep discharge by the "Electronic Cell Protection (ECP)". When the battery is discharged, the power tool is switched off by means of a protective circuit: The application tool no longer rotates.

To remove the battery, press the release buttons and pull the battery back and out of the power tool. **Do not use force to do this.**

Follow the instructions on correct disposal.

## Changing the tool

► **Wear protective gloves when changing tools.** There is a risk of injury when touching the application tools.

### Selecting an application tool

Please observe the application tools intended for your power tool.

Fitting/changing the application tool

Remove the application tool if one has already been fitted. To remove the application tool, use the hex key to loosen the clamping bolt and remove the tool.

Position the required application tool (e.g. plunge cut saw blade on the tool holder so that the depressed centre is facing downwards (see figure on the graphics page, text on the application tool should be legible from above). Turn the application tool to a position which is convenient for the job at hand and allow it to lock into place in the cams of the tool holder. Twelve positions offset by 30° are possible for this.

Secure the application tool using the bolt. Tighten the bolt using the hex key until the rounded head of the bolt is lying flat against the application tool.

► **Check that the application tool is seated securely.** Application tools that are attached incorrectly or are not securely fixed in place may come loose during operation, thereby putting you at risk.

### Selecting a sanding sheet

Different sanding sheets are available, depending on the material you are working with and the required surface removal rate:

#### Attaching/changing the sanding sheet on the sanding plate

The sanding plate is fitted with a hook-and-loop fastening, allowing sanding sheets with a hook-and-loop backing to be secured quickly and easily.

Tap the hook-and-loop fastening of the sanding plate before fitting the sanding sheet to facilitate maximum adhesion.

Position the sanding sheet so that it is flush with one side of the sanding plate, then place the sanding sheet on the sanding plate and press it on firmly.

To ensure optimum dust extraction, make sure that the punched holes in the sanding sheet are aligned with the drilled holes in the sanding plate.

To remove the sanding sheet, take hold of it by a corner and pull it away from the sanding plate.

Sanding accessories such as fleece/polishing felt are attached to the sanding plate in the same way.

## Dust/chip extraction

The dust from materials such as lead paint, some types of wood, minerals and metal can be harmful to human health. Touching or breathing in this dust can trigger allergic reactions and/or cause respiratory illnesses in the user or in people in the near vicinity.

Certain dusts, such as oak or beech dust, are classified as carcinogenic, especially in conjunction with wood treatment additives (chromate, wood preservative). Materials containing asbestos may only be machined by specialists.

- Use a dust extraction system that is suitable for the material wherever possible.
- Provide good ventilation at the workplace.
- It is advisable to wear a P2 filter class breathing mask.

The regulations on the material being machined that apply in the country of use must be observed.

► **Avoid dust accumulation at the workplace.** Dust can easily ignite.

## Operation

### Starting Operation

#### Inserting the battery

► **Use only original P.I.T. lithium-ion batteries with the voltage stated on the type plate of your power tool.** Using other batteries can lead to injuries and pose a fire hazard.

**Note:** The use of batteries unsuitable for your power tool can lead to malfunctions or damage to the power tool.

Insert the charged battery into the handle until you feel it engage and it is flush with the handle.

#### Switching on/off

► **Make sure that you are able to press the On/Off switch without releasing the handle.**

To **switch** on the power tool, slide the on/off switch for ward so that "I" appears on the switch.

To **switch off** the power tool, slide the on/off switch backward so that "0" appears on the switch.

**Note:** If the power tool shuts down automatically because the battery is flat or overheated, switch the power tool off using the on/off switch.

Charge the battery or let it cool down before switching the power tool on again. Failure to do so can damage the battery.

### Preselecting the orbital stroke rate

You can even preselect the required orbital stroke rate during operation using the orbital stroke rate preselection thumbwheel.

The required orbital stroke rate is dependent on the material and the work conditions and can be determined using practical tests.

### Practical Advice

► **Remove the battery from the power tool before carrying out work on the power tool (e.g. maintenance, changing tool, etc.). The battery should also be removed for transport and storage.** There is risk of injury from unintentionally pressing the on/off switch.

► **Always wait until the power tool has come to a complete stop before placing it down.**

**Note:** Do not cover or close the ventilation slots on the power tool when working as this will reduce the service life of the power tool.

### Operating principle

The oscillating drive causes the application tool to oscillate back and forth by 3.2° up to 19000 times per minute. This enables precise work in the tightest of spaces.



Use a consistent, low contact pressure when performing work; otherwise, the performance will be impaired and the application tool may jam.



While working, move the power tool back and forth to prevent the application tool overheating and jamming.

### Sawing

► **Use only undamaged saw blades that are in perfect condition.** Bent or dull saw blades can break, negatively influence the cut, or lead to kickback.

► **When sawing lightweight materials,**

**take into account the statutory provisions and recommendations of the material manufacturers.**

► **Plunge cuts may only be applied to soft materials, such as wood, gypsum board, etc.**

Before using HCS saw blades to saw into wood, chipboard, building materials, etc., check these saw blades for foreign objects, such as nails, screws, etc. Remove the foreign objects as required or use bi-metal saw blades.

### Cutting

**Note:** When cutting wall tiles, please bear in mind that the application tools are subject to high wear if used for extended periods.

### Sanding

The material removal rate and sanding result are primarily determined by the choice of sanding sheet, the preselected orbital stroke rate level and the contact pressure.

Only immaculate sanding sheets achieve good sanding performance and make the power tool last longer.

Be sure to apply consistent contact pressure in order to increase the lifetime of the sanding sheets.

Excessively increasing the contact pressure will not lead to increased sanding performance, rather it will cause more severe wear of the power tool and of the sanding sheet.

To sand corners, edges and hard-to-reach areas accurately, you can also work with the tips alone or with an edge of the sanding plate.

The sanding sheet may heat up significantly when used to sand specific points rather than entire surfaces. Reduce the orbital stroke rate and contact pressure and allow the sanding sheet to cool down at regular intervals.

Do not use a sanding sheet for other materials after it has been used to work on metal.

Use only original Bosch sanding accessories. Always connect a dust extraction system for sanding.

### Scraping

Select a high orbital stroke rate level for scraping.

Work on a soft surface (e.g. wood) at a flat angle and with low contact pressure. Failure to do so may cause the scraper to cut into the surface underneath.

### Temperature-dependent-overload protection

In normal conditions of use, the power tool cannot be overloaded. If the power tool is overloaded or not kept within the permitted

battery temperature range, the speed is reduced or the power tool switches off. At reduced speed, the power tool will run again at full speed once the permitted battery temperature is reached or the load is reduced. If it automatically shuts down, switch the power tool off, allow the battery to cool down, then switch the power tool back on.

### Recommendations for Optimal Handling of the Battery

Protect the battery against moisture and water.

Only store the battery within a temperature range of -20 to 50 °C. Do not leave the battery in your car in the summer, for example.

Occasionally clean the ventilation slots on the battery using a soft brush that is clean and dry.

A significantly reduced operating time after charging indicates that the battery has deteriorated and must be replaced. Follow the instructions on correct disposal.

### Maintenance and Service

#### Maintenance and Cleaning

► **Before any work on the machine itself (e. g. maintenance, tool change, etc.) as well as during transport and storage, remove the battery from the power tool.**

There is danger of injury when unintentionally actuating the On/Off switch.

► **For safe and proper working, always keep the machine and ventilation slots clean.**

When the battery is no longer operative, please refer to an authorized after-sales service agent for P.I.T. power tools.

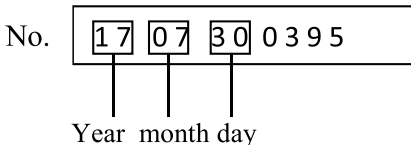
#### Dispose of waste

Damaged power tools, batteries, accessories and waste packaging materials must be recycled and reused in an environmentally friendly manner.



Do not throw power tools and accumulators / batteries into general household waste!

#### Product serial number interpretation



The first and second digits of the product serial number from left to right

Year of production, the third and fourth digits

indicate the month of production, The fifth and sixth digits indicate the production day.

### TERMS OF WARRANTY SERVICE

1. This Warranty Certificate is the only document that confirms your right to free warranty service. Without presenting this certificate, no claims are accepted. In case of loss or damage, the warranty certificate is not restored.

2. The warranty period for the electric machine is 12 months from the date of sale, during the warranty period the service department eliminates manufacturing defects and replaces parts that have failed due to the fault of the manufacturer free of charge. In the warranty repair, an equivalent operable product is not provided. Replaceable parts become property of service providers.

P.I.T is not liable for any damage that may be caused by operation of the electric machine.

3. Only clean tool accompanied with the following duly executed documents: this Warranty Certificate, Warranty Card, with all fields filled out, bearing the stamp of the trade organization and the signature of the buyer, shall be accepted for warranty repair.

4. Warranty repair is not performed in the following cases:

- in the absence of a Warranty Certificate and a Warranty Card or their incorrect execution;
- with failure of both a rotor and a stator of the electric engine, charring or melting of primary winding of the welding machine transformer, charging or starting-charging device, with internal parts melting, burn down of electronic circuit boards;

- if a Warranty Certificate or a Warranty Card does not correspond to this electric machine or to the form established by the supplier;

- upon expiration of the warranty period;

- at attempts of opening or repair of the electric machine outside the warranty workshop; making constructive changes and lubrication of the tool during the warranty period, as evidenced, for example, by the creases on the spline parts of the fasteners of non-rotational parts.

- when using electric tools for production or other purposes connected with making a profit, as well as in case of malfunctions related to instability of the power network parameters exceeding the norms established by GOST;

- in the events of improper operation (use the electric machine for other than intended purposes, attachments to the electric machine of attachments, accessories, etc. not provided by the manufacturer);



- with mechanical damage to the case, power cord and in case of damages caused by aggressive agents and high and low temperatures, ingress of foreign objects in the ventilation grids of the electric machine, as well as in case of damage resulting from improper storage (corrosion of metal parts);
- natural wear and tear on the parts of the electric machine, as a result of long-term operation (determined on the basis of the signs of full or partial depletion of the specified mean life, great contamination, presence of rust outside and inside the electric machine, waste lubricant in the gearbox);
- use of the tool the purposes for other than specified in the operating instructions.
- mechanical damages to the tool;
- in the event of damages due to non-observance of the operating conditions specified in the instruction (see chapter "Safety Precautions" of the Manual).
- damage to the product due to non-observance of the rules of storage and transportation.

Preventive maintenance of electric machines (cleaning, washing, lubrication, replacement of anthers, piston and sealing rings) during the warranty period is a paid service.

The service life of the product is determined by the manufacturer and is 2 years from the date of manufacture.

The owner is notified of any possible violations of the above terms of warranty service upon completion of diagnostics in the service center.

The owner of the tool entrusts the diagnostic procedure to be conducted in the service center in his absence.

Do not operate the electric machine when there are signs of excessive heat, sparking, or noise in the gearbox. To determine the cause of the malfunction, the buyer should contact the warranty service center.

Malfunctions caused by late replacement of carbon brushes of the engine are eliminated at the expense of the buyer.

5. The warranty does not cover:

- replacement accessories (accessories and components), for example: batteries, discs, blades, drill bits, borers, chucks, chains, sprockets, collet clamps, guide rails, tension and fastening elements, trimming device heads, base of grinding and belt sander machines, hexagonal heads, etc.,
- fast wearing parts, for example: carbon brushes, drive belts, seals, protective covers,

guiding rollers, guides, rubber seals, bearings, toothed belts and wheels, shanks, brake belts, starter ratchets and ropes, piston rings, etc. Their replacement during the warranty period is a paid service;

- power cords, in case of damage to the insulation, power cords are subject to mandatory replacement without the consent of the owner (paid service);
- tool case.

**Русский**

Общие указания по технике безопасности для электроинструментов

**!** **ПРЕДУПРЕЖДЕНИЕ** Прочтите все указания и инструкции по технике.

безопасности. Несоблюдение указаний и инструкций по технике безопасности может стать причиной поражения электрическим током, пожара и тяжелых травм.

**Сохраняйте эти инструкции и указания для будущего использования.**

Использованное в настоящих инструкциях и указаниях понятие «электроинструмент» распространяется на электроинструмент с питанием от сети (с сетевым шнуром) и на аккумуляторный электроинструмент (без сетевого шнура).

**Безопасность рабочего места**

- ▶ **Содержите рабочее место в чистоте и хорошо освещенным.** Беспорядок или неосвещенные участки рабочего места могут привести к несчастным случаям.
- ▶ **Не работайте с этим электроинструментом во взрывоопасном помещении, в котором находятся горючие жидкости, воспламеняющиеся газы или пыль.**

Электроинструменты искрят, что может привести к воспламенению пыли или паров.

- ▶ **Во время работы с электроинструментом не допускайте близко к Вашему рабочему месту детей и посторонних лиц.** Отвлечшись, Вы можете потерять

контроль над электроинструментом.

**Электробезопасность**

- ▶ **Штепсельная вилка электроинструмента должна подходить к штепсельной розетке.** Ни в коем случае не изменяйте штепсельную вилку. Не применяйте переходные штекеры для электроинструментов с защитным заземлением. Неизмененные штепсельные вилки и подходящие штепсельные розетки снижают риск поражения электротоком.
- ▶ **Предотвращайте телесный контакт заземленными поверхностями, как то: с трубами, элементами отопления, кухонными плитами и холодильниками.** При заземлении Вашего тела повышается риск поражения электротоком.
- ▶ **Защищайте электроинструмент от дождя и сырости.** Проникновение воды

в электроинструмент повышает риск поражения электротоком.

- ▶ **Не разрешается использовать шнур не по назначению, например, для транспортировки или подвески электроинструмента, или для вытягивания вилки из штепсельной розетки.** Защищайте шнур от воздействия высоких температур, масла, острых кромок или подвижных частей электроинструмента. Поврежденный или спутанный шнур повышает риск поражения электротоком.
- ▶ **При работе с электроинструментом под открытым небом применяйте пригодные для этого кабели-удлинители.** Применение пригодного для работы под открытым небом кабеля-удлинителя снижает риск поражения электротоком.
- ▶ **Если невозможно избежать применения электроинструмента в сыром помещении, подключайте электроинструмент через устройство защитного отключения.** Применение устройства защитного отключения снижает риск электрического поражения.

**Безопасность людей**

- ▶ **Будьте внимательными, следите за тем, что Вы делаете, и продуманно начинайте работу с электроинструментом.** Не пользуйтесь электроинструментом в усталом состоянии или если Вы находитесь в состоянии наркотического или алкогольного опьянения или под воздействием лекарств. Один момент невнимательности при работе с электроинструментом может привести к серьезным травмам.
- ▶ **Применяйте средства индивидуальной защиты и всегда защитные очки.** Использование средств индивидуальной защиты, как то: защитной маски, обуви на нескользящей подошве, защитного шлема или средств защиты органов слуха, – в зависимости от вида работы с электроинструментом снижает риск получения травм.
- ▶ **Предотвращайте непреднамеренное включение электроинструмента.** Перед подключением электроинструмента к электропитанию и/или к аккумулятору убедитесь в выключенном состоянии электроинструмента. Удерживание пальца на выключателе при транспортировке электроинструмента и

подключение к сети питания включенного электроинструмента чревато несчастными случаями.

- ▶ **Убирайте установочный инструмент или гаечные ключи до включения электроинструмента.** Инструмент или ключ, находящийся во вращающейся части электроинструмента, может привести к травмам.
- ▶ **Не принимайте неестественное положение корпуса тела.** Всегда занимайте устойчивое положение и сохраняйте равновесие. Благодаря этому Вы можете лучше контролировать электроинструмент в неожиданных ситуациях.
- ▶ **Носите подходящую рабочую одежду.** Не носите широкую одежду и украшения. Держите волосы, одежду и рукавицы вдали от движущихся частей. Широкая одежда, украшения или длинные волосы могут быть затянуты вращающимися частями.
- ▶ **При наличии возможности установки пылеотсасывающих и пылесборных устройств проверяйте их присоединение и правильное использование.** Применение пылеотсоса может снизить опасность, создаваемую пылью.
- ▶ **ВНИМАНИЕ! В случае возникновения перебоя в работе электроинструмента вследствие полного или частичного прекращения энергоснабжения или повреждения цепи управления энергоснабжением установите выключатель в положение Выкл., убедившись, что он не заблокирован (при его наличии).** Отключите сетевую вилку от розетки или отсоедините съёмный аккумулятор. Этим предотвращается неконтролируемый повторный запуск.

**Применение электроинструмента и обращение с ним**

- ▶ **Не перегружайте электроинструмент.** Используйте для Вашей работы предназначенный для этого электроинструмент. С подходящим электроинструментом Вы работаете лучше и надежнее в указанном диапазоне мощности.
- ▶ **Не работайте с электроинструментом при неисправном выключателе.** Электроинструмент, который не поддается включению или выключению, опасен и должен быть отремонтирован.

- ▶ **До начала наладки электроинструмента, перед заменой принадлежностей и прекращением работы отключайте штепсельную вилку от розетки сети и/или выньте аккумулятор.** Эта мера предосторожности предотвращает непреднамеренное включение электроинструмента.
- ▶ **Храните электроинструменты в недоступном для детей месте.** Не разрешайте пользоваться электроинструментом лицам, которые не знакомы с ним или не читали настоящих инструкций. Электроинструменты опасны в руках неопытных лиц.
- ▶ **Тщательно ухаживайте за электроинструментом.** Проверяйте безупречную функцию и ход движущихся частей электроинструмента, отсутствие поломок или повреждений, отрицательно влияющих на функцию электроинструмента. Поврежденные части должны быть отремонтированы до использования электроинструмента. Плохое обслуживание электроинструментов является причиной большого числа несчастных случаев.
- ▶ **Держите режущий инструмент в заточенном и чистом состоянии.** Заботливо ухоженные режущие инструменты с острыми режущими кромками режут легче и их легче вести.
- ▶ **Применяйте электроинструмент, принадлежностей, рабочие инструменты и т. п. в соответствии с настоящими инструкциями.** Учитывайте при этом рабочие условия и выполняемую работу. Использование электроинструментов для непредусмотренных работ может привести к опасным ситуациям.

**Применение и обслуживание аккумуляторного инструмента**

- ▶ **Заряжайте аккумуляторы только в зарядных устройствах, рекомендуемых изготовителем.** Зарядное устройство, предусмотренное для определенного вида аккумуляторов, может привести к пожарной опасности при использовании его с другими аккумуляторами.
- ▶ **Применяйте в электроинструментах только предусмотренные для этого аккумуляторы.** Использование других аккумуляторов может привести к травмам и пожарной опасности.
- ▶ **Защищайте неиспользуемый аккумулятор от канцелярских скрепок,**

монет, ключей, гвоздей, винтов и других маленьких металлических предметов, кото-рые могут закоротить полюса. Короткое замыкание полюсов аккумулятора может привести к ожогам или пожару.

- ▶ **При неправильном использовании из аккумулятора может потечь жидкость. Избегайте соприкосновения с ней. При случайном контакте промойте соответствующее место водой. Если эта жидкость попадет в глаза, то дополнительно обратитесь за помощью к врачу.** Вытекающая аккумуляторная жидкость может привести к раздражению кожи или к ожогам.

## Сервис

- ▶ **Ремонт Вашего электроинструмента поручайте только квалифицированному персоналу и только с применением оригинальных запасных частей.** Этим

обеспечивается безопасность электроинструмента.

**Указания по технике безопасности для многофункциональных резаков**

- ▶ **При выполнении работ, при которых рабочий инструмент может задеть скрытую электропроводку, держите инструмент за изолированные поверхности.** Контакт с находящейся под напряжением проводкой может зарядить металлические части электроинструмента и привести к удару электрическим током.
- ▶ **Закрепите обрабатываемую заготовку на стабильном основании с помощью зажимов или иным удобным способом.** Удерживанием обрабатываемой заготовки в руке или прижим ее к себе не обеспечивается ее стабильное удержание, и она может выйти изпод контроля.
- ▶ **Используйте электроинструмент только для сухого шлифования.** Проникновение воды в электроинструмент повышает риск поражения электротоком.
- ▶ **Внимание: опасность возгорания!** Избегайте перегрева шлифуемой поверхности и шлифмашины. Перед перерывами в работе всегда опорожняйте контейнер для пыли. Пыль от шлифования, накопившаяся в пылевом мешке, микрофилтре, бумажном мешке (или в мешке-филтре / филтре

пылесоса) может при неблагоприятных условиях самовозгореться, напр., от искры при шлифовании металлов. Особенная опасность возникает, когда пыль от шлифования смешивается с остатками лака, полиуретана или других химикатов, а шлифуемая поверхность нагрелась от длительных работ.

- ▶ **Не подставляйте руки в зону пиления. Не подставляйте руки под заготовку.** При контакте с пыльным полотном возникает опасность травмирования.
- ▶ **Регулярно прочищайте вентиляционные щели электроинструмента.** Вентилятор двигателя затягивает пыль в корпус, и большое скопление металлической пыли может привести к электрической опасности.
- ▶ **Используйте соответствующие металлоискатели для нахождения скрытых в стене труб или проводки или обращайтесь за справкой в местное коммунальное предприятие.** Контакт с электропроводкой может привести к пожару и поражению электротоком. Повреждение газопровода может привести к взрыву. Повреждение водопровода ведет к нанесению материального ущерба.
- ▶ **Крепко держите электроинструмент во время работы двумя руками и следите за устойчивым положением тела.** Двумя руками Вы можете более надежно вести электроинструмент.
- ▶ **При смене сменных рабочих инструментов одевайте защитные рукавицы.** Сменные рабочие инструменты при длительной эксплуатации нагреваются.
- ▶ **Не счищайте увлажненные материалы (напр., обои) и не работайте на влажном основании.** Проникновение воды в электроинструмент повышает риск поражения электротоком.
- ▶ **Не обрабатывайте обрабатываемую поверхность жидкостями, содержащими растворители.** При нагреве материалов при скоблении могут возникать ядовитые газы.
- ▶ **При работе со скребком и ножом проявляйте особую осторожность.** Рабочие инструменты очень острые, существует опасность травм.
- ▶ **При повреждении и ненадлежащем использовании аккумулятора может выделиться газ.** Обеспечьте приток

свежего воздуха и при возникновении жалоб обратитесь к врачу. Газы могут вызвать раздражение дыхательных путей.

- ▶ **Не вскрывайте аккумулятор.** При этом возникает опасность короткого замыкания.
- ▶ **Острыми предметами, как напр., гвоздем или отверткой, а также внешним силовым воздействием можно повредить аккумуляторную батарею.** Это может привести к внутреннему короткому замыканию, возгоранию с задымлением, взрыву или перегреву аккумуляторной батареи.
- ▶ **Используйте аккумуляторную батарею только в изделиях изготовителя.** Только так аккумулятор защищен от опасной перегрузки.



**Защищайте аккумуляторную**

**батарею от высоких температур, напр., от длительного нагревания на солнце, от огня, воды и влаги.** Существует опасность взрыва.

### Описание продукта и услуг



**Прочтите все указания и инструкции по технике безопасности.**

Несоблюдение указаний по технике безопасности и инструкций может привести к поражению электрическим током, пожару и/или тяжелым травмам.

Пожалуйста, соблюдайте иллюстрации в начале руководства по эксплуатации.

### Применение по назначению

Электроинструмент предназначен для распиливания и разрезания древесных материалов, пластмассы, гипса, цветных металлов и крепежных элементов (напр., гвоздей, скрепок). Он также пригоден для обработки мягкой плитки для стен, сухого шлифования и шабрения небольших поверхностей. Он в особенной степени пригоден для работ вблизи края и заподлицо. Этот электроинструмент разрешается эксплуатировать исключительно с принадлежностями P.I.T.

### Изображенные составные части

Нумерация представленных компонентов выполнена по изображению на странице с иллюстрациями.

- (1) выключатель
- (2) кнопка разблокировки аккумулятора
- (3) Аккумулятор
- (4) Вентиляционные отверстия

(5) Дискосовый переключатель предварительного выбора частоты орбитального удара

(6) Индикатор заряда аккумулятора

(7) держатель инструмента

(8) Ручка (изолированная поверхность захвата)

(9) Погружное пыльное полотно

(10) Шлифовальная плита

(11) Шайба

(12) Зажимной болт

(13) шестигранный ключ

(14) Шлифовальный лист

### Технические данные

| Модель   | PMT20H-035A  |
|--|--|
| Напряжение   | DC 20 В  |
| Скорость холостого хода  | 5000-19000 об / мин  |
| Угол колебания слева / справа  | 3,2 °  |
| Совместимая аккумуляторная батарея (наличие зависит от комплекта поставки) | PH20-2.0 (2Ач)<br>PH20-3.0 (3Ач)<br>PH20-4.0 (4Ач)<br>PH20-5.0 (5Ач)<br>PH20-6.0 (6Ач) |
| Совместимое зарядное устройство (наличие зависит от комплекта поставки)    | PH20-2.4A<br>PH20-3.0A   |

### Сборка

- ▶ **До начала работ по техобслуживанию, смене инструмента и т. д., а также при транспортировке и хранении извлекайте аккумулятор из электроинструмента.** При непреднамеренном включении возникает опасность травмирования.

### Зарядка аккумулятора

- ▶ **Пользуйтесь только зарядными устройствами, указанными в технических параметрах.** Только эти зарядные устройства пригодны для литиево-ионного аккумулятора Вашего электроинструмента.

**Указание:** Аккумуляторная батарея поставляется в частично заряженном состоянии. Для обеспечения полной мощности аккумулятора зарядите его полностью перед первым применением.

Литий-ионный аккумулятор может быть заряжен в любое время без сокращения срока службы. Прекращение процесса зарядки не наносит вреда аккумулятору.

Литиево-ионная аккумуляторная батарея защищена от глубокой разрядки системой „Electronic Cell Protection (ECP)“. Защитная схема выключает электроинструмент при разряженном аккумуляторе – рабочий инструмент останавливается.

► **После автоматического выключения электроинструмента не нажимайте больше на выключатель.** Аккумулятор может быть поврежден.

Аккумулятор оснащен двумя ступенями фиксации, призванными предотвращать выпадение аккумулятора при непреднамеренном нажатии на кнопку разблокировки. Пока аккумулятор находится в электроинструменте, пружина держит его в соответствующем положении.

Чтобы извлечь аккумуляторную батарею, нажмите на кнопку разблокировки аккумулятора и извлеките аккумуляторную батарею из электроинструмента, потянув ее назад. **Не применяйте при этом силы.**

**Индикатор заряженности аккумуляторной батареи**

Три зеленых светодиода на индикаторе заряженности аккумулятора показывают уровень его заряда. По причинам безопасности индикатор заряженности активен только в состоянии покоя электроинструмента.

Нажмите кнопку, чтобы отобразить степень заряженности аккумуляторной батареи. Это также возможно при извлеченной аккумуляторной батарее.

**Замена рабочего инструмента**

► **При смене рабочего инструмента надевайте защитные рукавицы.** Прикосновение к рабочим инструментам может привести к травме.

**Выбор рабочего инструмента**

Используйте только предусмотренные для данного электроинструмента сменные рабочие инструменты.

**Установка/смена рабочего инструмента**

Выньте возможно уже установленный рабочий инструмент.

Для этого откройте рычаг SDS до упора. Рабочий инструмент высвобождается.

Поставьте желаемый рабочий инструмент (например, пильное полотно для пиления утапливанием) на крепление инструмента так, чтобы изгиб был обращен вниз (см. рис. на стр. изображений, надпись на рабочем инструменте читается сверху).

При этом устанавливайте рабочий инструмент в необходимом для будущей работы

положении. Возможны двенадцать положений с интервалом 30°.

Крепко нажимайте рабочим инструментом в необходимом положении на зажимные кулачки патрона, пока он не зафиксируется автоматически.

► **Проверьте прочность посадки рабочего инструмента.** Неправильно или ненадежно закрепленные рабочие инструменты могут во время работы разболтаться и подвергнуть Вас опасности.

**Монтаж и настройка ограничителя глубины**

Ограничитель глубины можно использовать при работах с сегментированными и погружными пильными полотнами.

Выньте возможно уже установленный рабочий инструмент.

Наденьте ограничитель глубины в необходимом рабочем положении до упора через патрон на зажимную шейку электроинструмента. Дайте ограничителю глубины войти в зацепление. Возможны двенадцать положений с интервалом 30°.

Установите необходимую рабочую глубину. Закройте зажимной рычаг ограничителя глубины, чтобы зафиксировать ограничитель глубины.

**Установка шлифовального листа на шлифовальную плиту/смена шлифовального листа**

Шлифовальная плита оснащена крючковой частью липучки для быстрой и простой смены шлифовальных листов с петельной частью липучки.

Выбейте ткань липучки на шлифовальной плите перед установкой нового шлифовального листа для обеспечения оптимального сцепления.

Приложите шлифовальный лист с одной стороны шлифовальной плиты заподлицо с краем плиты, затем наложите весь шлифовальный лист на плиту и хорошо прижмите. Для обеспечения оптимального пылеудаления следите за тем, чтобы вырезы в абразивном материале совпадали с отверстиями в шлифовальной плите.

Для снятия шлифовального листа возьмитесь за кончик шлифовального листа и снимите лист со шлифовальной плиты.

Принадлежности для шлифования, как то, нетканая накладка/полировальный войлок, закрепляются на шлифовальной плите таким же образом.

**Удаление пыли и стружки**

Пыль некоторых материалов, как напр.,

красок с содержанием свинца, некоторых сортов древесины, минералов и металлов, может быть вредной для здоровья.

Прикосновение к пыли и попадание пыли в дыхательные пути может вызвать аллергические реакции и/или заболевания дыхательных путей оператора или находящегося вблизи персонала.

Определенные виды пыли, напр., дуба и бука, считаются канцерогенными, особенно совместно с присадками для обработки древесины (хромат, средство для защиты древесины). Материал с содержанием асбеста разрешается обрабатывать только специалистам.

– По возможности используйте пригоудую для материала систему пылеудаления.

– Хорошо проветривайте рабочее место.

– Рекомендуется пользоваться респираторной маской с фильтром класса P2.

Соблюдайте действующие в Вашей стране предписания для обрабатываемых материалов.

► **Избегайте скопления пыли на рабочем месте.** Пыль может легко воспламениться.

## Работа с инструментом

### Включение электроинструмента

#### Установка аккумулятора

► **Применяйте только оригинальные литиево-ионные аккумуляторы фирмы P.I.T. с напряжением, указанным на заводской табличке электроинструмента.** Использование других аккумуляторных батарей может приводить к химическим ожогам и опасности пожара.

**Указание:** Применение аккумуляторов, не предназначенных для данного электроинструмента, может привести к сбоям в работе или повреждению электроинструмента. Вставьте заряженный аккумулятор сзади в ножку электроинструмента. Полностью вдавите аккумулятор в ножку, чтобы аккумулятор надежно зафиксировался.

### Включение/выключение

► **Убедитесь, что Вы можете приводить в действие выключатель, не отпуская рукоятки.**

Для **включения** электроинструмента передвиньте выключатель вперед так, чтобы на выключателе появилось обозначение «I». Для **выключения** электроинструмента передвиньте выключатель назад так, чтобы на выключателе появилось обозначение «0». Подсветка улучшает видимость в непосредственной зоне работы. Она автоматиче-

чески включается и выключается вместе с электроинструментом.

► **Не смотрите прямо на подсветку, она может Вас ослепить.**

**Указание:** Если электроинструмент автоматически отключился из-за разряженного или перегретого аккумулятора, выключите электроинструмент при помощи выключателя.

Зарядите аккумулятор или дайте аккумулятору остыть и лишь затем опять включайте электроинструмент. В противном случае аккумулятор может быть поврежден.

### Настройка частоты колебаний

При помощи колесика установки числа колебаний можно выбирать необходимое число колебаний, в том числе на работающем инструменте.

Необходимая частота колебаний зависит от материала и условий работы и может быть определена практическим способом.

При распиловке, резке и шлифовании твердых материалов, напр., древесины или металла, мы рекомендуем устанавливать частоту колебаний на «6», мягких материалов, напр., пластмассы, – на «4».

## Указания по применению

► **До начала работ по техобслуживанию, смене инструмента и т. д., а также при транспортировке и хранении извлекайте аккумулятор из электроинструмента.** При непреднамеренном включении возникает опасность травмирования.

► **Выждите полной остановки электроинструмента и только после этого выпускайте его из рук.**

**Указание:** Не закрывайте вентиляционные отверстия электроинструмента при работе, так как это снижает срок службы электроинструмента.

### Принцип работы

Благодаря колебательному приводу рабочий инструмент совершает до 20000 колебаний в минуту в разные стороны под суммарным углом 2,8°. Это обеспечивает точность работ в самых узких местах.



Работайте с незначительной и равномерной силой прижатия, иначе производительность работы снижается и возможно заклинивание рабочего инструмента.

Во время работы перемещайте электроинструмент из стороны в сторону, чтобы рабочий инструмент сильно не нагревался и не

заклинивал.

### Пиление

- ▶ **Используйте только неповрежденные, безупречные пильные полотна.** Изогнутые или затупившиеся пильные полотна могут переломиться; использование таких полотен может отрицательно сказаться на качестве распила или вызвать рикошет.
- ▶ **При распиливании легких строительных материалов выполняйте законные предписания и рекомендации изготовителя материала.**
- ▶ **Распиливать с погружением можно только мягкие материалы, напр., древесину, гипсокартон и т.п.!**

До начала пиления высокоуглеродистыми пильными полотнами проверьте древесину, стружечные плиты, стройматериалы и т.д. на наличие посторонних тел, напр., гвоздей, винтов и т.п. При наличии таковых удалите их или воспользуйтесь биметаллическими пильными полотнами.

### Отрезание

**Указание:** При разрезании плитки для стен учитывайте, что при продолжительной работе инструменты подвергаются высокому износу.

### Шлифование

Продуктивность работы и характер шлифованной поверхности зависят, в основном, от выбранного абразивного материала, установленного числа колебаний и силы нажатия.

Только безупречные абразивные материалы обеспечивают хорошую производительность и щадят электроинструмент.

Следите за равномерным усилием прижатия, чтобы повысить срок службы абразивного материала.

Чрезмерное повышение усилия прижатия не ведет к повышению производительности, а к более сильному износу электроинструмента и абразивного материала.

Для точного точечного шлифования углов, кромок и труднодоступных участков допускается работа также и только лишь кончиком или кромкой шлифовальной плиты.

При точечном шлифовании абразивная шкурка может сильно нагреваться. Уменьшите частоту колебаний и прижимное усилие и регулярно охлаждайте абразивный материал.

Не используйте абразивный материал, которым Вы обрабатывали металл, для обработки других материалов.

Применяйте только оригинальные принадлежности P.I.T..

Для шлифования всегда подключайте устройство пылеудаления.

### Шабрение

Осуществляйте шабрение на высокой частоте колебаний. На мягкой поверхности (напр., на древесине) работайте с минимально возможным углом и малым усилием прижатия. В противном случае шпатель может врезаться в обрабатываемую поверхность.

### Термическая защита от перегрузки

При использовании электроинструмента по назначению его перегрузка не возможна. Чрезмерная нагрузка или несоблюдение допустимого диапазона температур для аккумулятора приводит к снижению частоты вращения или отключению электроинструмента. Если снизилась частота вращения, то полное число оборотов электроинструмент наберет только после того, как температура аккумулятора достигнет допустимого диапазона или снова уменьшится нагрузка. При автоматическом отключении выключите электроинструмент, дайте аккумуляторной батарее остыть и затем опять включите электроинструмент.

### Указания по оптимальному обращению с аккумулятором

Защищайте аккумулятор от влаги и воды.

Храните аккумулятор только в диапазоне температур от

-20 °C до 50 °C. Не оставляйте аккумулятор летом в автомобиле.

Время от времени прочищайте вентиляционные прорези аккумулятора мягкой, сухой и чистой кисточкой.

Значительное сокращение продолжительности работы после заряда свидетельствует о старении аккумулятора и указывает на необходимость его замены.

Учитывайте указания по утилизации.

### Техобслуживание и сервис

#### Техобслуживание и очистка

- ▶ **До начала работ по техобслуживанию, смене инструмента и т. д., а также при транспортировке и хранении извлекайте аккумулятор из электроинструмента.** При непреднамеренном включении возникает опасность травмирования.

- ▶ **Для обеспечения качественной и безопасной работы содержите электроинструмент и вентиляционные прорези в чистоте.**



Регулярно очищайте проволочной щеткой абразивный рабочий инструмент (принадлежности).

### Утилизация

Отслужившие свой срок электроинструменты, принадлежности и упаковку следует сдавать на экологически чистую переработку отходов.



Утилизируйте электроинструмент

отдельно от бытового мусора!

### РАШИФРОВКА ДАТЫ ИЗГОТОВЛЕНИЯ ИЗДЕЛИЯ

№. 

|   |   |   |   |   |   |   |   |   |   |
|---|---|---|---|---|---|---|---|---|---|
| 1 | 7 | 0 | 7 | 3 | 0 | 0 | 3 | 9 | 5 |
|---|---|---|---|---|---|---|---|---|---|

год    месяц    день

Дата изготовления изделия зашифрована в серийном номере, напечатанном на корпусе инструмента. Первые 2 цифры обозначают год выпуска, следующие 2 цифры – месяц и следующие 2 цифры день.

### УСЛОВИЯ ГАРАНТИЙНОГО ОБСЛУЖИВАНИЯ

1. Настоящее гарантийное свидетельство является единственным документом, подтверждающим ваше право на бесплатное гарантийное обслуживание. Без предъявления данного свидетельства претензии не принимаются. В случае утери или порчи гарантийное свидетельство не восстанавливается.

2. Гарантийный срок на электроинструмент, а также зарядные устройства и аккумуляторные батареи серии OnePower составляет 12 месяцев со дня продажи, в течение гарантийного срока сервисная служба бесплатно устраняет производственные дефекты и производит замену деталей, вышедших из строя по вине изготовителя. На период гарантийного ремонта эквивалентный исправный инструмент не предоставляется. Заменяемые детали переходят в собственность служб сервиса.

Компания P.I.T. не несет ответственности за вред, который может быть причинен при работе с электроинструментом.

3. В гарантийный ремонт инструмент принимается в чистом виде, при обязательном

наличии надлежащим образом оформленных документов: настоящего гарантийного свидетельства, гарантийного талона, с полностью заполненными полями, штампом торговой организации и подписью покупателя.

4. Гарантийный ремонт не производится в следующих случаях:

при отсутствии гарантийного свидетельства и гарантийного талона или неправильном их оформлении;

при совместном выходе из строя якоря и статора электродвигателя, при обугливание или оплавлении первичной обмотки трансформатора сварочного аппарата, зарядного или пуско-зарядного устройства, при оплавлении внутренних деталей, прожиге электронных плат;

если гарантийное свидетельство или талон не принадлежат данному электроинструменту или не соответствует установленному поставщиком образцу;

по истечении срока гарантии;

при попытках самостоятельного вскрытия или ремонта электроинструмента вне гарантийной мастерской;

внесения конструктивных изменений и смазки инструмента в гарантийный период, о чем свидетельствуют, например, заломы на шлицевых частях крепежа корпусных деталей.

при использовании электроинструмента в производственных или иных целях, связанных с получением прибыли, а также при возникновении неисправностей связанных с нестабильностью параметров электросети, превышающих нормы, установленные ГОСТ;

при неправильной эксплуатации (использование электроинструмента не по назначению, установки на электроинструмент не предназначенных заводом-изготовителем насадок, дополнительных приспособлений и т.п.;

при механических повреждениях корпуса, сетевого шнура и при повреждениях, вызванных воздействиями агрессивных средств и высоких и низких температур, попадании инородных предметов в вентиляционные решетки электроинструмента, а также при повреждениях, наступивших в результате неправильного хранения (коррозия металлических частей);

при естественном износе деталей электроинструмента, в результате длительной эксплуатации (определяется по признакам

полной или частичной выработки ресурса, сильного загрязнения, ржавчины снаружи и внутри электроинструмента, отработанной смазки в редукторе);

использование инструмента не по назначению, указанному в инструкции по эксплуатации.

при механических повреждениях инструмента;

при возникновении повреждений в связи с несоблюдением предусмотренных инструкцией условий эксплуатации (см. главу «Указание по технике безопасности» в инструкции).

повреждение изделия вследствие несоблюдения правил хранения и транспортировки. Профилактическое обслуживание электроинструмента (чистка, промывка, смазка, замена пыльников, поршневых и уплотнительных колец) в гарантийный период является платной услугой.

Срок службы изделия установлен изготовителем и составляет 2 года со дня изготовления.

О возможных нарушениях, изложенных выше условий гарантийного обслуживания, владельцу сообщается после проведения диагностики в сервисном центре.

Владелец инструмента доверяет проведение диагностики в сервисном центре в свое отсутствие.

Запрещается эксплуатация электроинструмента при проявлении признаков повышенного нагрева, искрения, а также шума в редукторной части. Для выяснения причин неисправности покупателю следует обратиться в гарантийную мастерскую.

Неисправности, вызванные несвоевременной заменой угольных щеток двигателя, устраняются за счет покупателя.

5.Гарантия не распространяется на:

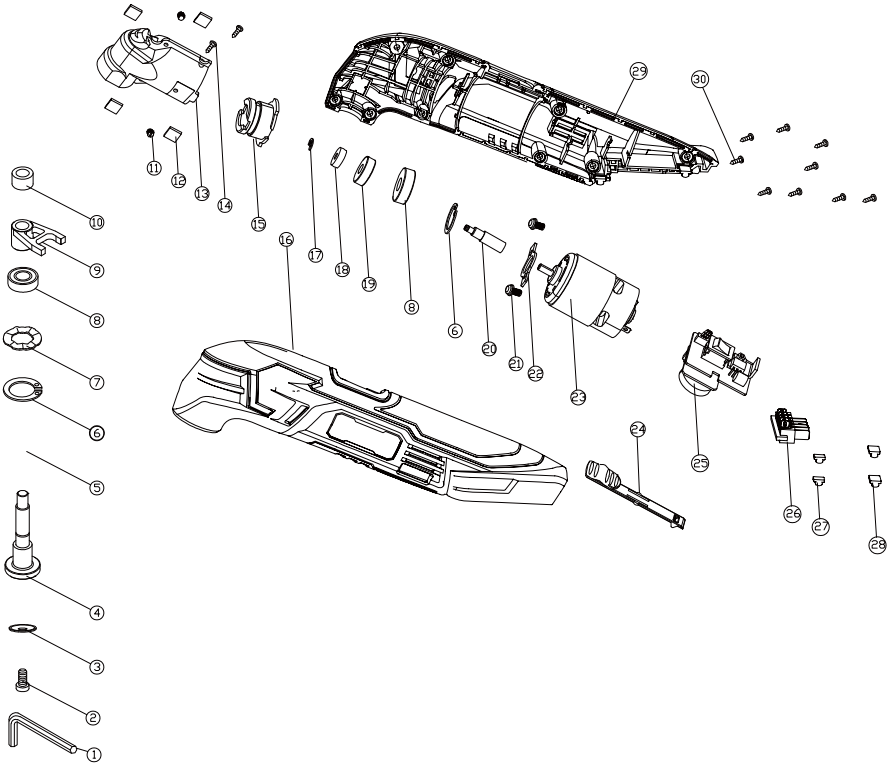
сменные принадлежности (аксессуары и оснастка), например: аккумуляторы, диски, ножи, сверла, буры, патроны, цепи, звездочки, цанговые зажимы, шины, элементы натяжения и крепления, головки триммеров, подошвы шлифовальных и ленточных машин, фильтры, головки шестигранные и т.п.

быстроизнашивающиеся детали, например: угольные щетки, приводные ремни, сальники, защитные кожухи, направляющие ролики, направляющие, резиновые уплотнения, подшипники, зубчатые ремни и колеса, стволы, ленты тормоза, храповики и тросы стартеров, поршневые кольца и

т.п.

Замена их в течение гарантийного срока является платной услугой.

-шнуры питания, в случае повреждения изоляции, шнуры питания подлежат обязательной замене без согласия владельца (услуга платная), в т.ч. корпуса инструмента.



# P.I.T. WARRANTY CERTIFICATE

Product Name \_\_\_\_\_  
 Product Serial Number   
 Battery Serial Number   
 Charger Serial Number   
 Sale Date \_\_\_\_\_  
 Trade Organization Name \_\_\_\_\_



Dear customer!

Thank you for purchasing the P.I.T tool, and we hope that you will be satisfied with your choice. In the process of manufacturing the P.I.T tools pass multilevel quality control, if nevertheless your product will need maintenance, please contact the authorized P.I.T service centers.

Attention!

When buying, ask a seller to check the completeness and operability of the tool, to fill out the Warranty Certificate, the Warranty Card (the boxes shall be filled out by a seller) and to affix the seal of the trade organization in the Guarantee Certificate and the Warranty Card.

Warranty

By this Warranty Certificate, P.I.T. company guarantees the absence of defects of the production nature.

In the event any of the above defects are detected during the warranty period, the specialized P.I.T. service centers shall repair the product and replace the defective spare parts free of charge.

The warranty period for P.I.T. electric machines is 12 months from the date of sale.

“The warranty maintenance terms acknowledged and accepted. The operability and completeness of the product are checked in my presence. No claims on quality and appearance.”

Buyer's Signature \_\_\_\_\_ Surname (legibly) \_\_\_\_\_

Phone \_\_\_\_\_

**ГАРАНТИЙНОЕ СВИДЕТЕЛЬСТВО НА ИНСТРУМЕНТ P.I.T.**

Наименование изделия \_\_\_\_\_

Серийный номер изделия Серийный номер аккумулятора Серийный номер зарядного устройства 

Дата продажи « \_\_\_\_\_ » \_\_\_\_\_

Наименование торговой организации \_\_\_\_\_

Уважаемый покупатель!

М.П.

Благодарим Вас за покупку инструмента P.I.T. и надеемся, что Вы останетесь довольны своим выбором.

При необходимости обслуживания Вашего изделия обращайтесь в авторизованные сервисные центры P.I.T. Все сервисные центры представлены на сайте [www.pittools.ru](http://www.pittools.ru)

**Внимание!**

При покупке требуйте у продавца проверки работоспособности инструмента и его комплектности, а также заполнения гарантийного свидетельства, гарантийного талона (графы «Заполняются продавцом») и простановки печати торговой организации в гарантийном свидетельстве и гарантийных талонах.

**Гарантия**

На основании данного гарантийного свидетельства компания P.I.T. гарантирует отсутствие дефектов производственного характера.

Если в течение гарантийного срока в Вашем изделии обнаружатся указанные дефекты, то специализированные сервисные центры P.I.T. бесплатно отремонтируют изделие и заменят дефектные запасные части.

Гарантийный срок на электроинструменты P.I.T. составляет 12 месяцев со дня продажи.

«С условиями гарантийного обслуживания ознакомлен(а). Работоспособность и комплектность изделия проверены в моем присутствии. Претензий к качеству и внешнему виду не имею».


Подпись покупателя \_\_\_\_\_ Фамилия (разборчиво) \_\_\_\_\_


Телефон \_\_\_\_\_


# P.I.T. WARRANTY CARD

|   |  |               |
|---|--|---------------|
| Name _____<br>Product Serial Number _____<br>Battery Serial Number _____<br>Charger Serial Number _____<br>Sale Date _____ 20____<br>Date of Receipt from Repair _____ 20____ | <b>P.I.T.</b> <sup>®</sup>                 | <b>№ 1</b>    |
|   | Name _____                                 |               |
|   | Product Serial Number _____                |               |
|   | Battery Serial Number _____                |               |
|   | Charger Serial Number _____                |               |
|   | Sale Date _____ 20____                     | Place of Seal |
|   | (Filled out by a Seller)                   |               |
|   | WARRANTY REPAIR CARD                       |               |
|   | Date of Acceptance for Repair _____ 20____ |               |
|   | Application for Repair _____               |               |
|   | Customer _____                             |               |
|   | Phone (Address) _____                      |               |
| Cause of Application _____  |  |               |
| Date of Receipt from Repair _____ 20____  |  |               |
| The Tool is checked in my presence _____  |  |               |
| (The Order shall be performed in a Service Center) (Signature)  |  |               |
| Name _____<br>Product Serial Number _____<br>Battery Serial Number _____<br>Charger Serial Number _____<br>Sale Date _____ 20____<br>Date of Receipt from Repair _____ 20____ | <b>P.I.T.</b> <sup>®</sup>                 | <b>№ 2</b>    |
|   | Name _____                                 |               |
|   | Product Serial Number _____                |               |
|   | Battery Serial Number _____                |               |
|   | Charger Serial Number _____                |               |
|   | Sale Date _____ 20____                     | Place of Seal |
|   | (Filled out by a Seller)                   |               |
|   | WARRANTY REPAIR CARD                       |               |
|   | Date of Acceptance for Repair _____ 20____ |               |
|   | Application for Repair _____               |               |
|   | Customer _____                             |               |
|   | Phone (Address) _____                      |               |
| Cause of Application _____  |  |               |
| Date of Receipt from Repair _____ 20____  |  |               |
| The Tool is checked in my presence _____  |  |               |
| (The Order shall be performed in a Service Center) (Signature)  |  |               |
| Name _____<br>Product Serial Number _____<br>Battery Serial Number _____<br>Charger Serial Number _____<br>Sale Date _____ 20____<br>Date of Receipt from Repair _____ 20____ | <b>P.I.T.</b> <sup>®</sup>                 | <b>№ 3</b>    |
|   | Name _____                                 |               |
|   | Product Serial Number _____                |               |
|   | Battery Serial Number _____                |               |
|   | Charger Serial Number _____                |               |
|   | Sale Date _____ 20____                     | Place of Seal |
|   | (Filled out by a Seller)                   |               |
|   | WARRANTY REPAIR CARD                       |               |
|   | Date of Acceptance for Repair _____ 20____ |               |
|   | Application for Repair _____               |               |
|   | Customer _____                             |               |
|   | Phone (Address) _____                      |               |
| Cause of Application _____  |  |               |
| Date of Receipt from Repair _____ 20____  |  |               |
| The Tool is checked in my presence _____  |  |               |
| (The Order shall be performed in a Service Center) (Signature)  |  |               |

# ГАРАНТИЙНЫЙ ТАЛОН P.I.T.

|  <span style="float: right;"><b>Талон № 1</b></span>   |    |   |
|---|----|---|
| Наименование _____<br>Серийный номер изделия _____<br>Серийный номер аккумулятора _____<br>Серийный номер зарядного устройства _____<br>Дата продажи « _____ » _____ 20__<br>(Заполняется продавцом)<br><b>КАРТА ГАРАНТИЙНОГО РЕМОНА</b><br>Дата приема ремонт _____ 20__<br>Заявка на ремонт _____<br>Заказчик _____<br>Телефон (адрес) _____<br>Причина обращения _____<br>Дата получения от ремонта _____ 20__<br>Инструмент проверен в моем присутствии _____<br>(Заполняется в Сервисном центре) (Подпись) _____ | МП | Наименование _____<br>Серийный номер изделия _____<br>Серийный номер аккумулятора _____<br>Серийный номер зарядного устройства _____<br>Дата продажи _____ 20__<br>Дата получения от ремонта _____ 20__ |

|  <span style="float: right;"><b>Талон № 2</b></span>   |    |   |
|---|----|---|
| Наименование _____<br>Серийный номер изделия _____<br>Серийный номер аккумулятора _____<br>Серийный номер зарядного устройства _____<br>Дата продажи « _____ » _____ 20__<br>(Заполняется продавцом)<br><b>КАРТА ГАРАНТИЙНОГО РЕМОНА</b><br>Дата приема ремонт _____ 20__<br>Заявка на ремонт _____<br>Заказчик _____<br>Телефон (адрес) _____<br>Причина обращения _____<br>Дата получения от ремонта _____ 20__<br>Инструмент проверен в моем присутствии _____<br>(Заполняется в Сервисном центре) (Подпись) _____ | МП | Наименование _____<br>Серийный номер изделия _____<br>Серийный номер аккумулятора _____<br>Серийный номер зарядного устройства _____<br>Дата продажи _____ 20__<br>Дата получения от ремонта _____ 20__ |

|  <span style="float: right;"><b>Талон № 3</b></span>   |    |   |
|---|----|---|
| Наименование _____<br>Серийный номер изделия _____<br>Серийный номер аккумулятора _____<br>Серийный номер зарядного устройства _____<br>Дата продажи « _____ » _____ 20__<br>(Заполняется продавцом)<br><b>КАРТА ГАРАНТИЙНОГО РЕМОНА</b><br>Дата приема ремонт _____ 20__<br>Заявка на ремонт _____<br>Заказчик _____<br>Телефон (адрес) _____<br>Причина обращения _____<br>Дата получения от ремонта _____ 20__<br>Инструмент проверен в моем присутствии _____<br>(Заполняется в Сервисном центре) (Подпись) _____ | МП | Наименование _____<br>Серийный номер изделия _____<br>Серийный номер аккумулятора _____<br>Серийный номер зарядного устройства _____<br>Дата продажи _____ 20__<br>Дата получения от ремонта _____ 20__ |



**Поставщик / производитель:** Xinjiang Longbo Industrial Co., Ltd./Синзянь Лонгбо Индастриал Ко., Лтд.

**Адрес производства:** Rm. 602, 6th Floor, No. 531, Weixing Road, Economic And Technological Development Zone, Urumqi, Xinjiang, China / Оф.602, 6 этаж, №531, Вейшинг Рoad, Экономик Энд Технолджикал Девелопмент Зон, Урумчи, Синзянь, Китай

**Импортер/ организация, уполномоченная принимать претензии:** ООО «Турбо-Тулс»

**Юридический адрес:** 614058, Пермский край, г. Пермь, ул. Фоминская, 36  
info@pittools.ru

**Сделано в КНР / Made in China**

