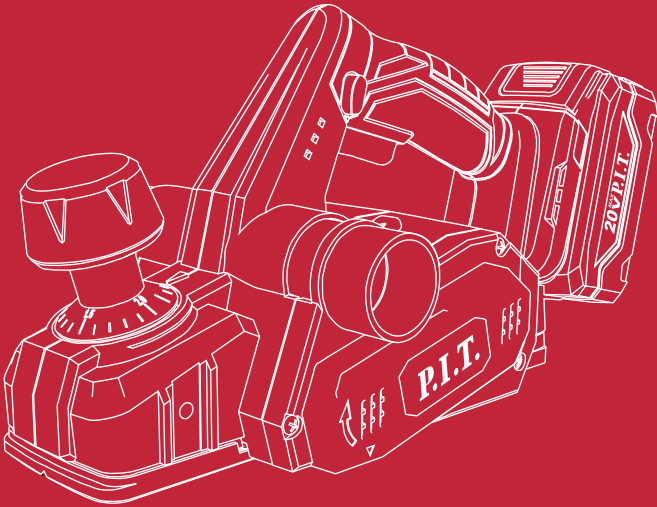


P.I.T.

PER20H-82A



CORDLESS PLANER

АККУМУЛЯТОРНЫЙ РУБАНОК

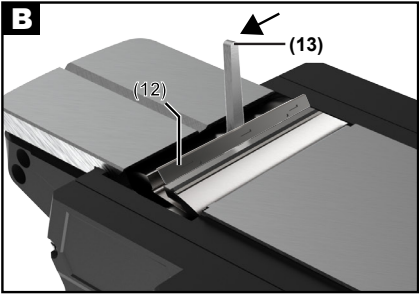
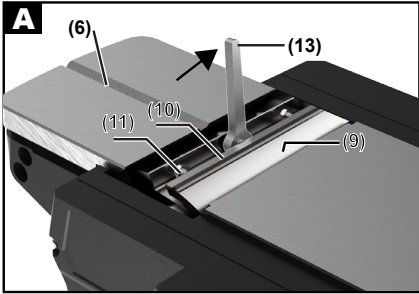
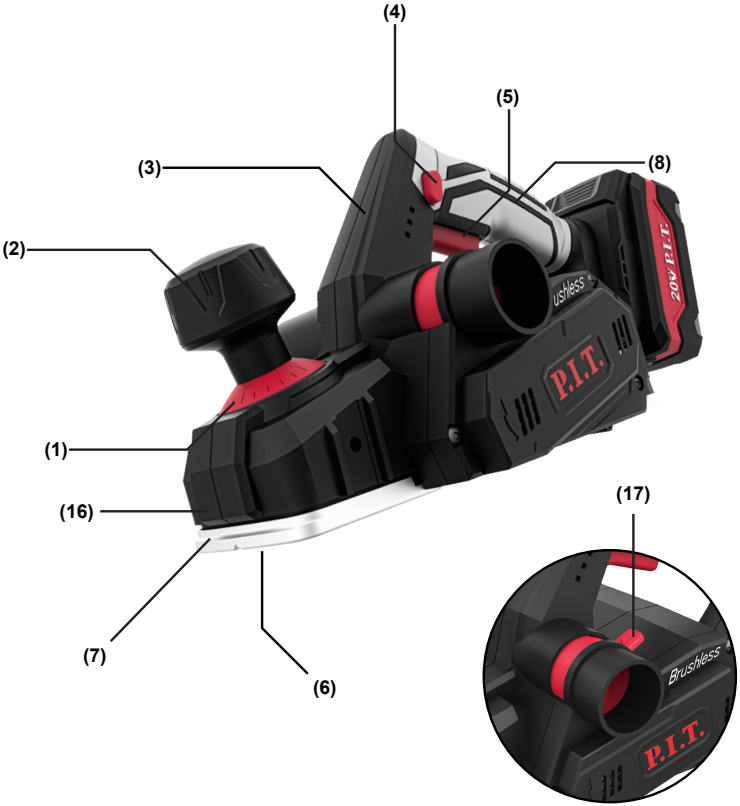


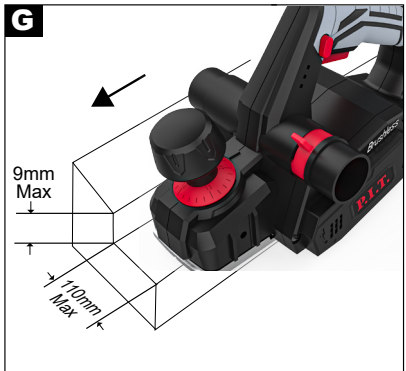
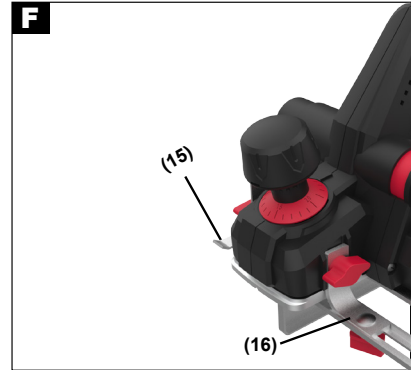
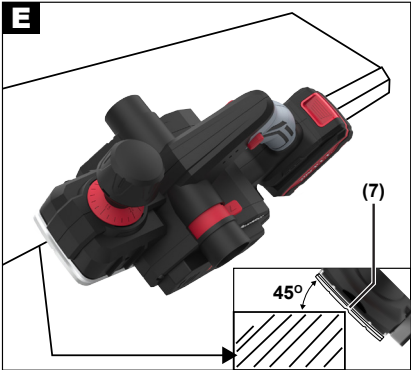
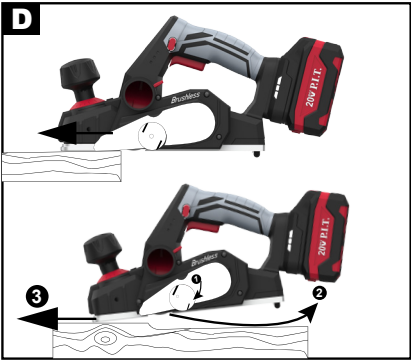
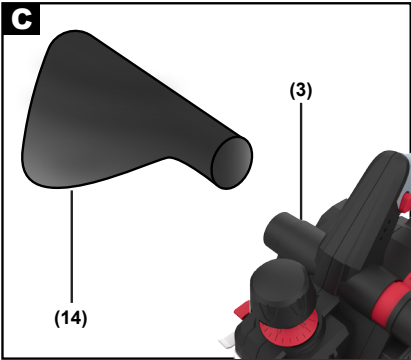
Please read the instruction manual carefully before use!

Пожалуйста, внимательно прочтите инструкцию перед использованием!




EAC





English

Safety instructions General power tool safety instructions

 **WARNING** Read all safety warnings and all instructions. Failure to follow the warnings and instructions may result in electric shock, fire and/or serious injury.

Retain these instructions and directions for future use. The term "power tool" as used in these instructions and instructions applies to both mains operated power tools (with mains lead) and cordless power tools (without mains lead).

Work area safety

- ▶ **Keep work area clean and well lit.** Cluttered or dark areas invite accidents.
- ▶ **Do not operate power tools in explosive atmospheres, such as in the presence of flammable liquids, gases or dust.** Power tools create sparks which may ignite the dust or fumes.
- ▶ **Keep children and bystanders away while operating a power tool.** Distractions can cause you to lose control.

Electrical safety

- ▶ **Power tool plugs must match the outlet. Never modify the plug in any way. Do not use any adapter plugs with earthed (grounded) power tools.** Unmodified plugs and matching outlets will reduce risk of electric shock.
- ▶ **Avoid body contact with earthed or grounded surfaces, such as pipes, radiators, ranges and refrigerators.** There is an increased risk of electric shock if your body is earthed or grounded.
- ▶ **Do not expose power tools to rain or wet conditions.** Water entering a power tool will increase the risk of electric shock.
- ▶ **Do not abuse the cord. Never use the cord for carrying, pulling or unplugging the power tool. Keep cord away from heat, oil, sharp edges or moving parts.** Damaged or entangled cords increase the risk of electric shock.
- ▶ **If operating a power tool in a damp location is unavoidable, use a residual current device (RCD) protected supply.** Use of an RCD reduces the risk of electric shock.

Personal safety

- ▶ **Stay alert, watch what you are doing and use common sense when operating a power tool. Do not use a power tool**

while you are tired or under the influence of drugs, alcohol or medication. A moment of inattention while operating power tools may result in serious personal injury.

- ▶ **Use personal protective equipment. Always wear eye protection.** Protective equipment such as dust mask, non-skid safety shoes, hard hat, or hearing protection used for appropriate conditions will reduce personal injuries.
- ▶ **Prevent unintentional starting. Ensure the switch is in the off-position before connecting to power source and/or battery pack, picking up or carrying the tool.** Carrying power tools with your finger on the switch or energizing power tools that have the switch on invites accidents.
- ▶ **Remove any adjusting key or wrench before turning the power tool on.** A wrench or a key left attached to a rotating part of the power tool may result in personal injury.
- ▶ **Do not overreach. Keep proper footing and balance at all times.** This enables better control of the power tool in unexpected situations.
- ▶ **Dress properly. Do not wear loose clothing or jewellery.** Keep your hair, clothing and gloves away from moving parts. Loose clothes, jewellery or long hair can be caught in moving parts.
- ▶ **If devices are provided for the connection of dust extraction and collection facilities, ensure these are connected and properly used.** Use of dust collection can reduce dust related hazards.
- ▶ **Do not let familiarity gained from frequent use of tools allow you to become complacent and ignore tool safety principles.** A careless action can cause severe injury within a fraction of a second.
- ▶ **ATTENTION!** If an interruption occurs in the power tool due to a total or partial loss of power or damage to the power control circuit, turn the power switch to the Off position, making sure it is not locked (if fitted). Unplug the power plug or disconnect the removable battery. This prevents uncontrolled restarting.
- ▶ Qualified personnel in accordance with this manual means persons who are familiar with the adjustment, installation, commissioning and maintenance of power tools.
- ▶ Persons at least 18 years of age who have studied the technical description, operating

instructions and safety rules are allowed to work with the power tool.

- ▶ The product is not intended for use by persons (including children) with reduced physical, sensory or mental capabilities or lack of life experience or knowledge, unless they are supervised or instructed to use the power tool by a person responsible for their safety.

Power tool use and handling

- ▶ **Do not overload the power tool.** Use the specified power tool for your work. With the right power tool, you perform better and more reliably within the specified power range.
- ▶ Не работайте с электроинструментом при неисправном выключателе. Электроинструмент который не поддается включению или выключению опасен и должен быть отремонтирован.
- ▶ Disconnect the plug from the wall outlet and / or remove the battery, if possible, before setting up the power tool, changing accessories, or storing the power tool. This precaution prevents the power tool from being switched on unintentionally.
- ▶ Store power tools out of the reach of children. Do not allow persons unfamiliar with the power tool or these instructions to operate the power tool. Power tools are dangerous in the hands of inexperienced persons.
- ▶ Take care of your power tool carefully. Check that the moving parts of the power tool are in perfect working order and that they are free of breakage or damage that would adversely affect the function of the power tool. Damaged parts must be repaired before using the power tool. Poor maintenance of power tools is the cause of a large number of accidents.
- ▶ Keep the cutting tool sharpened and clean. Well-groomed cutting tools with sharp cutting edges are less likely to jam and are easier to guide.
- ▶ Use power tools, accessories, work tools, etc. in accordance with these instructions. When doing this, take into account the working conditions and the work to be carried out. The use of power tools for operations other than those specified can result in a hazardous situation.
- ▶ Keep handles and gripping surfaces dry and clean and free of liquid or Slippery handles and gripping surfaces impede safe

handling of the tool and prevent reliable control in unexpected situations

Application and maintenance of cordless tools

- ▶ The battery is not fully charged when shipped. To ensure full battery performance, fully charge the battery before first use.
- ▶ Use the battery only in combination with your P.I.T. This is the only way to prevent dangerous battery overload.
- ▶ Charge batteries only in manufacturer-recommended chargers. A charger designed for a certain type of battery, may cause fire hazard when used with other batteries.
- ▶ Only use the specified battery pack in the power tool. Using other batteries may cause injury and fire hazard.

Important safety instructions for working with the battery pack.

Warning: Use only genuine P.I.T. batteries. Using non-P.I.T. batteries or batteries that have been modified may cause the battery to explode, causing heat, injury or property damage. This will also automatically void the P.I.T. warranty. for instrument and P.I.T. charger.

- ▶ Before using the battery pack, read all instructions and warnings on the charger, battery cartridge, and tools that use the battery cartridge.
 - ▶ Do not disassemble the battery pack.
 - ▶ Do not drop or hit the battery pack.
 - ▶ Do not use a damaged battery pack
 - ▶ If the operating time of the battery pack decreases significantly, stop using it immediately. Otherwise, the unit may overheat, resulting in burns and even an explosion.
 - ▶ If electrolyte gets in your eyes, rinse with copious amounts of amount of clean water and consult a doctor immediately. This can lead to loss of vision.
- (1) Do not touch the contacts with any conductive object.
 - (2) Do not store the battery pack in a container with other metal objects such as nails, coins, etc.
 - (3) Do not expose the battery pack to water or rain. Shorting the contacts of the battery pack together can lead to high current, overheating, possible burns, and even damage to the unit.
- ▶ Do not store the tool and battery cartridge in locations where temperatures can reach or exceed 50 ° C (122 ° F).
 - ▶ Do not dispose of the battery pack in fire, even if it is badly damaged or completely out of order. The battery pack may explode

on fire.

- ▶ If the battery is damaged or used improperly, gas may escape. Provide fresh air and consult a doctor if complaints occur. The gases can irritate the respiratory tract.
- ▶ Clean the battery ventilation slots from time to time with a soft, dry, clean brush.
- ▶ Charge the battery pack without completely discharging it. Be sure to stop using the tool and charge the unit if you notice a decrease in the power of the tool.
- ▶ Never recharge a fully charged battery pack. Overcharging will shorten the battery life.
- ▶ Charge the battery pack at room temperature. Allow a hot battery pack to cool before charging.
- ▶ Charge the lithium-ion battery pack if you will not be using the tool for a long time (more than six months).
- ▶ Do not open the battery. There is a danger of a short circuit.
- ▶ Protect the battery from high temperatures such as prolonged exposure to the sun, fire, water and moisture. There is a danger of explosion.
- ▶ Store the battery in a temperature range of 0 to 45 ° C. Do not leave the battery in the car in summer.
- ▶ The supplied lithium-ion batteries must be operated in accordance with the dangerous goods legislation. For commercial transport, for example, by a third party or shipping agent, special warnings and labels must be applied to the packaging. Always consult your hazardous materials professional when preparing your device for shipment. Also comply with local codes and ordinances. They can be stricter. Cover or secure the open contacts and pack the battery so that it does not move around the package.
- ▶ Observe local regulations regarding the disposal of the battery pack.

Service

- ▶ **Have your power tool serviced by a qualified repair person using only identical replacement parts.** This will ensure that the safety of the power tool is maintained.

Safety instructions for planers

- ▶ Provide good lighting and ventilation in the work area. Large quantities of chips are generated during the cutting process.
- ▶ Before starting work, wait until the cutter-

block has stopped before putting the power tool down. An exposed rotating knife shaft can become stuck in the surface and cause loss of control and serious injury.

- ▶ **ATTENTION! Failure to comply with the above requirement may result in product damage and malfunction. This malfunction is not covered by the warranty.**
- ▶ Do not clean the chip ejection port by hand. Rotating parts can injure you.
- ▶ Move the power tool near the workpiece only when it is switched on. Otherwise, here is a danger of kickback when the working tool is jammed in the workpiece.
- ▶ When working, always hold the planer so that its sole is flat against the workpiece. Otherwise, the plane may tilt and cause injury.
- ▶ Never plan on metal objects, nails or screws. The blades and cutterblock can be damaged and result in increased vibration.
- ▶ Do not use excessive force when handling the product. This will not speed up the planing process, but will only reduce the quality of the work and shorten the life of the product.
- ▶ Watch out for the ejection of chips from the planer: when planing with the maximum cutting depth, with great pressure, as well as when planing raw wood, the hole in the nozzle may become clogged with coarse or raw chips. Regularly check and clean the bore to avoid damage.
- ▶ Hold the power tool firmly with both hands when working and be sure your body is stable. With both hands, you can guide the power tool more securely.

Product Description and Specifications



Read all safety warnings and all instructions. Failure to follow the warnings and instructions may result in electric shock, fire and/or serious injury.

Intended Use

The power tool is intended for planing wood-based materials such as beams and boards while resting firmly on the workpiece. It is also suitable for chamfering edges and for rebating.

Product Features

The numbering of the product features refers to the illustration of the machine on the graphics page.

- (1) Cutting depth scale

- (2) Knob for setting the cutting depth (insulated gripping surface)
- (3) Chip ejector
- (4) Power button lock
- (5) Power button
- (6) V-groove
- (7) base plate
- (8) Handle (insulated gripping surface)
- (9) Drum
- (10) Clamping element for planer blade
- (11) Fastening screw for planer blade
- (12) Planer blade
- (13) Open-end wrench
- (14) Chip/dust bag
- (15) Quarter sampling depth limiter
- (16) Parallel stop

Technical parameter

Model	PEP20H-82A
Rated voltage	DC20 V
Rated output power	20v
Rated speed	16000 r/min
Planing width	82 mm
Max. Planing depth	2mm
Weight	2.7 kg

Contents of delivery

Electric planer	1pc
Wrench	1pc
Fastener kit	1set
Quarter depth stop	1pc
Hex key	1pc
Dust bag	1pc
User manual	1pc

Note

Since the product is constantly being improved, P.I.T. reserves the right to make changes to the specifications and product specifications specified here without prior notice.

The text and numbers of the instructions may contain technical errors and typographical errors.

Fitting

- ▶ **Pull the plug out of the socket before carrying out any work on the power tool.**

Changing the Tool

- ▶ **Take care when changing the planer blade. Do not pick up the planer blade by the cutting edges.** You may be injured by the sharp cutting edges.

Use only original P.I.T HM/TC planer blades. The hard metal (HM/TC) planer blade has two cutting edges and can be turned. If both

cutting edges become blunt, the planer blade needs to be changed. The HM/TC planer blade must not be resharpened.

Removing the planer blade (see figure A)

To turn or replace the planer blade, turn the blade head until it is parallel to the planer base plate.

- ▶ Loosen the two fastening screws using the hex key (approx. 1–2 turns).
- ▶ If necessary, loosen the clamping element by
- ▶ lightly striking it with an appropriate implement, e.g. a wooden wedge.

Fitting the planer blade (see figure B)

The guide groove on the planer blade ensures a constant, even height setting when changing or turning the blade.

If necessary, clean the knife seat in the clamping element and the planer blade.

When fitting the planer blade, ensure that it is correctly seated in the mounting guide of the clamping element.

The planer blade must be fitted and aligned with the centre **of the planer base plate**. Then tighten the two fastening screws with the hex key.

Note: Check that the fastening screws are firmly tightened before starting operation. Turn the blade head by hand and ensure that the planer blade is not brushing against anything.

Dust/Chip Extraction

The dust from materials such as lead paint, some types of wood, minerals and metal can be harmful to human health.

Touching or breathing in this dust can trigger allergic reactions and/or cause respiratory illnesses in the user or in people in the near vicinity.

Certain dusts, such as oak or beech dust, are classified as carcinogenic, especially in conjunction with wood treatment additives (chromate, wood preservative). Materials containing asbestos may only be machined by specialists.

- Use a dust extraction system that is suitable for the material wherever possible.
- Provide good ventilation at the workplace.
- It is advisable to wear a P2 filter class breathing mask.

The regulations on the material being machined that apply in the country of use must be observed.

- ▶ **Avoid dust accumulation at the work-place.** Dust can easily ignite.

Clean the chip ejector regularly. Clean a clogged chip ejector using a suitable tool, e.g. a piece of wood, compressed air, etc.

- ▶ **Do not allow the chip ejector to come into contact with your hands.** You may be injured by rotating parts.

Always use an external dust extraction device or chip/dust bag to guarantee optimum suction.

Self-generated dust extraction (see figure C)

A dust/chip bag (accessory) can be used for smaller jobs. Insert the dust bag nozzle of the chip/dust bag firmly into the chip ejector. Empty the chip/dust bag at regular intervals to maintain optimum dust collection.

Operation

Operating modes

Setting the cutting depth

Using the knob, the cutting depth can be continuously adjusted between 0–2 mm the aid of the cutting depth scale.

Start-up

- ▶ **Pay attention to the mains voltage. The voltage of the power source must match the voltage specified on the rating plate of the power tool.**

Switching on/off

- ▶ **Make sure that you are able to press the On/Off switch without releasing the handle.**

To **start** the power tool, first press the lock-off button, then press and hold the on/off switch.

To **switch off** the power tool, release the on/off switch.

Note: For safety reasons, the on/off switch cannot be locked; it must remain pressed during the entire operation.

Practical advice

- ▶ **Pull the plug out of the socket before carrying out any work on the power tool.**

Planing Procedure (see figure D)

Set the required cutting depth and position the power tool with the front section of the planer base plate on the workpiece.

- ▶ **Only bring the power tool into contact with the workpiece when switched on.**

Otherwise there is danger of kickback if the cutting tool jams in the workpiece.

Switch on the power tool and guide it over the

surface of the workpiece, applying uniform feed.

To achieve high-quality surfaces, apply only a low feed rate and exert pressure on the middle of the planer base plate.

For the processing of hard materials, such as hardwood, and also when utilising the maximum planing width, set only a low cutting depth and reduce the planer feed as appropriate.

Excessive feed reduces the quality of the surface finish and can lead to the chip ejector quickly becoming blocked.

Only sharp planer blades achieve good cutting performance and make the power tool last longer.

- Switch the power tool on.
- Shift the contact pressure onto the front of the planer base plate and slowly slide the power tool forward (1). In doing so, the parking rest will swivel upwards and out of the way (2), meaning that the rear section of the planer base plate is in contact with the workpiece again.
- Guide the power tool over the surface of the workpiece, applying uniform feed (3).

Chamfering edges (see figure E)

The V-groove in the front of the planer base plate enables quick and easy chamfering of workpiece edges. Position the planer with the V-groove onto the edge of the workpiece and guide it along.

Planing with rip fence, rebate depth gauge (see figures F–G)

Parallel stop

When processing wide workpieces, it is recommended to install a parallel fence in the hole on the left or right. The stop will allow (with a flat edge of the workpiece) to cut off a precisely set strip from the edge of the workpiece.

Quarter sampling

To carry out planing with a selection of quarters, on the front of the planer (above the adjustable sole) it is necessary to fix a parallel stop in the mounting hole. On the side of the planer body (on the right or left), a corner of the sampling depth limiter is fixed with a screw, which has markings for the sampling depth. The required width of the sample is set along the parallel stop. According to the markings on the corner, its sole rises to the required depth of the quarter.

Swipe the planer once over the workpiece - a

groove of the required width will be selected to the installation depth of the regulator 2. Then, with the required number of successive passes, bring the depth of the groove to the desired one.

Maintenance and Service

Maintenance and Cleaning

- ▶ **Before any work on the machine itself, pull the mains plug.**
- ▶ **For safe and proper working, always keep the machine and ventilation slots clean.**
- ▶ **Регулярно проверяйте надежность крепления и состояние ножей. При затуплении ножей замените их на новые.**

Note! To avoid increased vibration of the drum due to imbalance, the knives should be changed in pairs.

Service

- ▶ Have your power tool repaired only by qualified personnel and only with original replacement parts. This ensures the safety of the power tool.


The list of authorized service centers can be viewed on the official website of P.I.T. by the link: <https://pittools.ru/services/>

Storage and transportation

The welding machine should be stored in closed rooms with natural ventilation at temperatures from 0 to +40 ° C and relative humidity up to 80%. The presence of acid vapors, alkalis and other aggressive impurities in the air is not allowed.

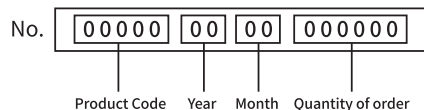
Products can be transported by any type of closed transport in the manufacturer’s packaging or without it, while preserving the product from mechanical damage, precipitation. Remove the battery and accessories from the power tool before transporting.

Dispose of waste

 Damaged power tools, batteries, accessories and waste packaging materials must be recycled and reused in an environmentally friendly manner.

Do not throw power tools and accumulators / batteries into general household waste!

Product serial number interpretation serial number



The date of manufacture of the product is encoded in the serial number printed on the body of the tool. The first 2 digits indicate the year of issue, the next 2 digits indicate the month.

TERMS OF WARRANTY SERVICE

To customers (users) of warranty service:

1. This warranty certificate is the only document that confirms your right to free warranty service. If this proof is not presented, no claims will be accepted. Warranty certificates cannot be recovered if lost or damaged.
2. It is required to provide a valid and legal document for purchasing the product. The document must have the name or seal of the sales company; at the same time, state the full model name of the purchased P.I.T. product, the serial number on the nameplate of the fuselage, and the date of purchase, and the required warranty. The whole machine and its accessories.

The warranty period:

1. The warranty period of the product is 12 months from the date of sale. During the warranty period, the service department will eliminate manufacturing defects free of charge and replace the parts that fail due to the manufacturer’s fault. In warranty repair, an equivalent operable product is not provided. Replaceable parts become the property of the service provider.
2. The wear degree on the diameter of the motor rotor commutator is less than 0.4 mm (except for brushless motor tools), and the internal damage caused by the quality of the tool belongs to the warranty.

The following situations occur during the warranty period, which is not covered by the warranty:

1. In the absence of any valid legal documents (invoices) such as warranty certificates and warranty cards to prove the date of purchase.
2. Damage caused by natural wear and overload. (For example, motor rotor and stator failure caused by overload, scorching or melting of the primary winding of the welding machine transformer, charging or starting the charging device, melting of internal parts, burning of electronic circuit boards, etc.)
3. The casing and power cord are mechanically damaged, as well as damage caused by corrosive media and high and low temperature, foreign objects entering the ventilation network of the motor, and damage caused by

improper storage (corrosion of metal parts);

4. Damage caused by improper carrying, transportation and storage by users.

5. Products that are opened, repaired, replaced or modified by users themselves.

6. Any damage caused by indiscriminate use, beyond the scope of use of the tool, and not in accordance with the instructions for use and maintenance. (see chapter "Safety Precautions" in the manual);

7. The damage caused by the following situations is not guaranteed due to improper use and non-quality problems:

(1) When the power tool is running at high speed, use the braking device to forcibly stop the rotation.

(2) Excessive pressure is applied to the tool during the use of the tool.

(3) Use the tool outside the scope of its purpose and capabilities.

(4) Damage caused by the tool working in a dusty environment for a long time without timely maintenance of the tool.

(5) Change the rotation direction of the work head before the tool stops completely.

(6) Shock the battery or charger and replace the plug of the charger without permission, causing damage to the battery or charger.

(7) Damage caused by two-stroke gasoline tools not being fueled in the correct proportions.

The warranty does not include:

1. Replacement of accessories (accessories and components) such as batteries, discs, blades, drills, chucks, chains, sprockets, collet clamps, guide rails, tension and fastening elements, dresser heads, grinders And belt sander base machine, hexagonal head, etc.;

2. Wearing parts, such as: carbon brushes, transmission belts, seals, protective covers, guide rollers, guide rails, rubber seals, bearings, toothed belts and wheels, shanks, brake belts, starter ratchets and ropes, piston rings Wait.

The above accessories are replaced with paid services during the warranty period;

Русский

Указания по технике безопасности
Общие указания по технике безопасно-
сти для электроинструментов



ПРЕДУПРЕЖДЕНИЕ

Прочтите все указания и инструк-
ции по технике безопасности.

Несоблюдение указаний и инструкций по
технике безопасности может стать причи-
ной поражения электрическим током, пожа-
ра и тяжелых травм.

**Сохраняйте эти инструкции и указания
для будущего использования.**

Использованное в настоящих инструкциях
и указаниях понятие «электроинструмент»
распространяется на электроинструмент с
питанием от сети (с сетевым шнуром) и на
аккумуляторный электроинструмент (без
сетевго шнура).

Безопасность рабочего места

- ▶ Содержите рабочее место в чистоте и
хорошо освещенным. Беспорядок или
неосвещенные участки рабочего места
могут привести к несчастным случаям.
- ▶ Не работайте с этим электроинстру-
ментом во взрывоопасном помеще-
нии, в котором находятся горючие
жидкости, воспламеняющиеся газы
или пыль. Электроинструменты искрят,
что может привести к воспламенению
пыли или паров.
- ▶ Во время работы с электроинстру-
ментом не допускайте близко к Ва-
шему рабочему месту детей и посто-
ронних лиц. Отвлекшись, Вы можете
потерять контроль над электроинстру-
ментом.

Электробезопасность

- ▶ Штепсельная вилка электроинстру-
мента должна подходить к штепсель-
ной розетке. Ни в коем случае не
изменяйте штепсельную вилку. Не
применяйте переходные штекеры
для электроинструментов с защит-
ным заземлением. Неизменные
штепсельные вилки и подходящие
штепсельные розетки снижают риск по-
ражения электротоком.
- ▶ Предотвращайте телесный контакт
с заземленными поверхностями, как
то: с трубами, элементами отопления,
кухонными плитами и холодильника-
ми. При заземлении Вашего тела повы-
шается риск поражения электротоком.
- ▶ Защищайте электроинструмент от до-

жда и сырости. Проникновение воды
в электроинструмент повышает риск
поражения электротоком.

- ▶ Не разрешается использовать шнур
не по назначению, например, для
транспортировки или подвески элек-
троинструмента, или для вытягива-
ния вилки из штепсельной розетки.
Защищайте шнур от воздействия
высоких температур, масла, острых
кромок или подвижных частей элек-
троинструмента. Поврежденный или
спутанный шнур повышает риск пораже-
ния электротоком.
- ▶ При работе с электроинструментом
под открытым небом применяйте
пригодные для этого кабели удлин-
нители. Применение пригодного для
работы под открытым небом кабеля
удлинителя снижает риск поражения
электротоком.
- ▶ Если невозможно избежать приме-
нения электроинструмента в сыром
помещении, подключайте электроин-
струмент через устройство защитного
отключения. Применение устройства
защитного отключения снижает риск
поражения электрическим током.

Безопасность людей

- ▶ Будьте внимательными, следите за
тем, что Вы делаете, и продуманно
начинайте работу с электроинстру-
ментом. Не пользуйтесь электроин-
струментом в усталом состоянии
или если Вы находитесь в состоянии
наркотического алкогольного опьяне-
ния или под воздействием лекарств.
Один момент невнимательности при
работе с электроинструментом может
привести к серьезным травмам.
- ▶ Применяйте средства индивидуаль-
ной защиты и всегда защитные очки.
Использование средств индивидуальной
защиты, как то: защитной маски, обуви
на нескользящей подошве, защитного
шлема или средств защиты органов
слуха, – в зависимости от вида работы
с электроинструментом снижает риск
получения травм.
- ▶ Предотвращайте непреднамеренное
включение электроинструмента.
Перед подключением электроин-
струмента к электропитанию и/или к
аккумулятору убедитесь в выключен-
ном состоянии электроинструмента.

Удержание пальца на выключателе при транспортировке и подключение к сети питания включенного электроинструмента чревато несчастными случаями.

- ▶ **Убирайте установочный инструмент или гаечные ключи до включения электроинструмента.** Инструмент или ключ, находящийся во вращающейся части электроинструмента, может привести к травмам.
- ▶ **Не принимайте неестественное положение корпуса тела. Всегда занимайте устойчивое положение и сохраняйте равновесие.** Благодаря этому Вы можете лучше контролировать электроинструмент в неожиданных ситуациях.
- ▶ **Носите подходящую рабочую одежду. Не носите широкую одежду и украшения. Держите волосы, одежду и перчатки вдали от движущихся частей.** Широкая одежда, украшения или длинные волосы могут быть затянуты вращающимися частями.
- ▶ **При наличии возможности установки пылеотсасывающих и пылесборных устройств проверяйте их присоединение и правильное использование.** Применение пылесоса может снизить опасность, создаваемую пылью.
- ▶ **Хорошее знание электроинструментов, полученное в результате частого их использования, не должно приводить к самоуверенности и игнорированию техники безопасности обращения с электроинструментами.** Одно небрежное действие за долю секунды может привести к серьезным травмам.
- ▶ **ВНИМАНИЕ!** В случае возникновения перебоя в работе электроинструмента вследствие полного или частичного прекращения энергоснабжения или повреждения цепи управления энергоснабжением установите выключатель в положение Выкл., убедившись, что он не заблокирован (при его наличии). Отключите сетевую вилку от розетки или отсоедините съёмный аккумулятор. Этим предотвращается неконтролируемый повторный запуск.
- ▶ **Квалифицированный персонал в соответствии с настоящим руководством подготавливает лиц, которые знакомы с регулировкой, монтажом, вводом эксплуатацию обслуживанием электроинструмента.**
- ▶ **К работе с электроинструментом допу-**

скаются лица не моложе 18 лет, изучившие техническое описание, инструкцию по эксплуатации и правила безопасности.

- ▶ **Изделие не предназначено для использования лицами (включая детей) с пониженными физическими, чувственными или умственными способностями или при отсутствии у них жизненного опыта или знаний, если они не находятся под контролем или не проинструктированы об использовании электроинструмента лицом, ответственным за их безопасность.**

Применение электроинструмента и обращение с ним

- ▶ **Не перегружайте электроинструмент. Используйте для Вашей работы предназначенный для этого электроинструмент.** С подходящим электроинструментом Вы работаете лучше и надежнее в указанном диапазоне мощности.
- ▶ **Не работайте с электроинструментом при неисправном выключателе.** Электроинструмент, который не поддается включению или выключению, опасен и должен быть отремонтирован.
- ▶ **Перед тем как настраивать электроинструмент, заменять принадлежности или убирать электроинструмент на хранение, отключите штепсельную вилку от розетки сети и/или выньте, если это возможно, аккумулятор.** Эта мера предосторожности предотвращает непреднамеренное включение электроинструмента.
- ▶ **Храните электроинструменты в недоступном для детей месте. Не разрешайте пользоваться электроинструментом лицам, которые не знакомы с ним или не читали настоящих инструкций.** Электроинструменты опасны в руках неопытных лиц.
- ▶ **Тщательно ухаживайте за электроинструментом. Проверяйте ход движущихся частей электроинструмента, отсутствие поломок или повреждений, отрицательно влияющих на функцию электроинструмента. Поврежденные части должны быть отремонтированы до использования электроинструмента.** Плохое обслуживание электроинструментов является причиной большого числа несчастных

случаев.

- ▶ **Держите режущий инструмент в заточенном и чистом состоянии.** Заботливо ухоженные режущие инструменты с острыми режущими кромками режут легче и их легче вести.
- ▶ **Применяйте электроинструмент, принадлежности, рабочие инструменты и т. п. в соответствии с настоящими инструкциями. Учитывайте при этом рабочие условия и выполняемую работу.** Использование электроинструментов для непредусмотренных работ может привести к опасным ситуациям.
- ▶ **Держите ручки и поверхности захвата сухими и чистыми, следите чтобы на них не было жидкой или консистентной смазки.** Скользкие ручки и поверхности захвата препятствуют безопасному обращению с инструментом и не дают надежно контролировать его в непредвиденных ситуациях.

Применение и обслуживание аккумулятора инструмента

- ▶ **Аккумулятор поставляется не полностью заряженным.** Для обеспечения полной мощности аккумулятора зарядите его полностью перед первым применением.
- ▶ **Используйте аккумуляторную батарею только в комбинации с Вашим инструментом P.I.T.** Только так вы сможете предотвратить опасную перегрузку аккумулятора.
- ▶ **Заряжайте аккумуляторы только в зарядных устройствах, рекомендуемых изготовителем.** Зарядное устройство, предусмотренное для определенного вида аккумуляторов, может привести к пожарной опасности при использовании его с другими аккумуляторами.
- ▶ **Применяйте в электроинструментах только предусмотренные для этого аккумуляторы.** Использование других аккумуляторов может привести к травмам и пожарной опасности.

Важные правила техники безопасности для работы с аккумуляторным блоком.

ВНИМАНИЕ: Используйте только фирменные аккумуляторные батареи P.I.T. Использование аккумуляторных батарей, не произведенных P.I.T., или батарей, которые были подвергнуты модификациям, может привести к взрыву аккумулятора, пожару, травмам и повреждению имущества. Это также автоматически аннулирует га-

рантию P.I.T. на инструмент и зарядное устройство P.I.T.

- ▶ Перед использованием аккумуляторного блока прочитайте все инструкции и предупредительные надписи на зарядном устройстве, аккумуляторном блоке и инструменте, работающем от аккумуляторного блока.
- ▶ Не разбирайте аккумуляторный блок.
- ▶ Не роняйте и не ударяйте аккумуляторный блок.
- ▶ Не используйте поврежденный аккумуляторный блок
- ▶ Если время работы аккумуляторного блока значительно сократилось, немедленно прекратите работу. В противном случае, может возникнуть перегрев блока, что приведет к ожогам и даже к взрыву.
- ▶ В случае попадания электролита в глаза промойте их обильным количеством чистой воды и немедленно обратитесь к врачу. Это может привести к потере зрения.
- ▶ Не замыкайте контакты аккумуляторного блока между собой:
 - (1) Не прикасайтесь к контактам какими-либо токопроводящими предметами.
 - (2) Не храните аккумуляторный блок в контейнере вместе с другими металлическими предметами, такими как гвозди, монеты и т. п.
 - (3) Не допускайте попадания на аккумуляторный блок воды или дождя. Замыкание контактов аккумуляторного блока между собой может привести к возникновению большого тока, перегреву, возможным ожогам и даже поломке блока.
- ▶ Не храните инструмент и аккумуляторный блок в местах, где температура может достигать или превышать 50 °C (122 °F).
- ▶ Не бросайте аккумуляторный блок в огонь, даже если он сильно поврежден или полностью вышел из строя. Аккумуляторный блок может взорваться под действием огня.
- ▶ При повреждении и ненадлежащем использовании аккумулятора может выделяться газ. Обеспечьте приток свежего воздуха и при возникновении жалоб обратитесь к врачу. Газы могут вызвать раздражение дыхательных путей.
- ▶ Время от времени прочищайте вентиляционные прорези аккумулятора мягкой, сухой и чистой кисточкой.

- ▶ Заряжайте блок аккумуляторов не допуская его полной разрядки. Обязательно прекратите работу с инструментом и зарядите блок, если вы заметили снижение мощности инструмента.
- ▶ Никогда не подзаряжайте полностью заряженный блок аккумуляторов. Перезарядка сокращает срок службы аккумулятора.
- ▶ Заряжайте блок аккумуляторов при комнатной температуре. Перед зарядкой горячего блока аккумуляторов дайте ему остыть.
- ▶ Зарядите литий-ионный аккумуляторный блок, если вы не будете пользоваться инструментом длительное время (более шести месяцев).
- ▶ Не вскрывайте аккумулятор, При этом возникает опасность короткого замыкания.
- ▶ Защищайте аккумуляторную батарею от высоких температур, например, от длительного нагревания на солнце, от огня, воды и влаги. Существует опасность взрыва.
- ▶ Храните аккумулятор в диапазоне температур от 0 до 45°C. Не оставляйте аккумулятор летом в автомобиле.
- ▶ Входящие в комплект литий-ионные аккумуляторы должны эксплуатироваться в соответствии с требованиями законодательства об опасных товарах. При коммерческой транспортировке, например, третьей стороной или экспедитором, необходимо нанести на упаковку специальные предупреждения и маркировку. В процессе подготовки устройства к отправке обязательно проконсультируйтесь со специалистом по опасным материалам. Также соблюдайте местные требования и нормы. Они могут быть строже. Закройте или закрепите разомкнутые контакты и упакуйте аккумулятор так, чтобы он не перемещался по упаковке.
- ▶ Выполняйте требования местного законодательства относительно утилизации аккумуляторного блока.
- ▶ электроинструмента.

Указания по технике безопасности для рубанков

- ▶ Обеспечьте хорошие освещение и вентиляцию рабочего места – в процессе строгания образуется стружка в больших количествах.
- ▶ Перед началом работы прежде чем отложить электроинструмент, подождите, пока ножевой вал не остановится. Окрытый вращающийся ножевой вал может застрять в поверхности и привести к потере контроля и серьезным травмам.
- ▶ **ВНИМАНИЕ! Невыполнение вышеуказанного требования может привести к повреждению изделия и выходу его из строя. Данная неисправность условиями гарантии не поддерживается.**
- ▶ Закрепляйте и фиксируйте заготовку на стабильном основании с помощью струбцины или другим способом. Если Вы будете удерживать заготовку рукой или прижимать ее к себе, ее положение будет недостаточно стабильно, в результате чего возможна утрата контроля.
- ▶ Не очищайте патрубков для выброса стружки руками. Вращающиеся части могут нанести Вам травму.
- ▶ Подводите электроинструмент к детальному во включенном состоянии. В противном случае возникает опасность обратного удара при заклинивании рабочего инструмента в детали.
- ▶ Держите вдали от огня, особенно после обнаружения утечки заряда или постороннего запаха.
- ▶ Подводите электроинструмент к детали только во включенном состоянии. В противном случае возникает опасность обратного удара при заклинивании рабочего инструмента в детали.
- ▶ При работе держите рубанок всегда так, чтобы его подошва плоско прилегала к детали. Иначе рубанок может перекокситься ипривести к травмам.
- ▶ Не прилагайте излишних усилий при работе с изделием. Это не ускорит процесс строгания, но только снизит качество работы и сократит срок службы изделия.
- ▶ Следите за выбросом стружки из рубанка: при строгании с максимальной глубиной выборки, с большим нажимом, а так-же при строгании сырой древесины

Сервис

- ▶ **Ремонт электроинструмента должен выполняться только квалифицированным персоналом и только с применением оригинальных запасных частей.** Этим обеспечивается безопасность

возможно засорение отверстия патрубка крупной или сырой стружкой. Во избежание поломок регулярно проверяйте и очищайте отверстие патрубка.

- ▶ Крепко держите электроинструмент во время работы двумя руками и следите за устойчивым положением тела. Двумя руками Вы можете более надежно вести электроинструмент.

Описание продукта и услуг



Прочтите все указания и инструкции по технике безопасности.

Несоблюдение указаний по технике безопасности и инструкций может привести к поражению электрическим током, пожару и/или тяжелым травмам.

Пожалуйста, соблюдайте иллюстрации в начале руководства по эксплуатации.

Применение по назначению

Данный электроинструмент предназначен для строгания древесных материалов, например, балок и досок, лежащих на прочной опоре. Он также пригоден для скашивания кромок и для выборки четверти.

Изображенные составные части

Нумерация представленных компонентов выполнена по изображению на странице с иллюстрациями.

- (1) Шкала глубины строгания
- (2) Ручка установки глубины строгания
- (3) Стружкоудалитель
- (4) Блокировка кнопки включения
- (5) Кнопка включения
- (6) V-образный паз
- (7) Опорная плита
- (8) Прорезиненная рукоятка
- (9) Барабан
- (10) Зажимной элемент для ножа строгального
- (11) Винт крепёжный
- (12) Строгальный нож
- (13) Гаечный ключ для регулировки
- (14) Пылесборник
- (15) Ограничитель глубины выборки четверти
- (16) Параллельный упор

Технические данные

Модель	PEP20H-82A
Номинальные напряжение/частота	DC20V
Номинальная мощность	20V
Частота вращения	16000 об/мин
Ширина строгания	82 мм

Максимальная глубина строгания	2 мм
Вес	2.7 кг

Комплект поставки

Рубанок электрический	1 шт
Гаечный ключ	1 шт
Ограничитель глубины четверти	1 шт
Комплект крепежа	1 комплект
Ключ шестигранный	1 шт
Мешок для стружки / пыли	1 шт
Инструкция пользователя	1 шт

Примечание

Так как изделие постоянно совершенствуется, P.I.T. оставляет за собой право на внесение изменений в указанные здесь технические характеристики и комплектацию изделия без предварительного уведомления.

В тексте и цифровых обозначениях инструкции могут быть допущены технические ошибки и опечатки.

Сборка

- ▶ Перед любыми манипуляциями с электроинструментом вынимайте аккумулятор из инструмента.

Извлечение и установка аккумуляторного блока

Нажмите кнопку отсоединения аккумуляторного блока, чтобы освободить и сдвинуть его. Извлеките аккумулятор из вашего инструмента. После перезарядки вставьте его обратно до щелчка. Простого толчка и небольшого давления будет достаточно.

Не используйте силу, когда вставляете аккумуляторный блок. Если аккумулятор не задвигается без усилия, то его установка выполняется неправильно.

Замена рабочего инструмента

- ▶ Соблюдайте осторожность при замене строгального ножа. Не беритесь за режущие кромки строгального ножа. Вы можете порезаться об острые режущие кромки.

Применяйте оригинальные ножи НМ/ТС фирмы P.I.T.

Строгальный нож из твердого сплава (НМ/ТС) имеет две режущие кромки и может быть перевернут. Если обе режущие кромки затупились, строгальный нож следует заменить. Твердосплавный нож НМ/ТС не предусматривает возможности перезаточки.

Демонтаж строгального ножа (см. рис. А)

Чтобы развернуть или заменить строгальный нож, поворачивайте ножевую головку, пока она не будет расположена параллельно к подошве рубанка.

- ▶ Ослабьте 2 крепежных винта с помощью ключа шестигранника припл. на 1 – 2 оборота.
- ▶ При необходимости отпустите элемент зажима легким ударом при помощи подходящего инструмента, напр., деревянного клина.

Монтаж строгального ножа (см. рис. В)

Направляющий паз строгального ножа обеспечивает при смене или поворачивании всегда равномерную установку высоты.

При необходимости очистите посадочное место под строгальный нож в элементе зажима и строгальный нож.

При установке строгального ножа следите за тем, чтобы он безупречно сидел в направляющей элемента зажима ножа. Строгальный нож нужно монтировать и выравнивать по центру подошвы рубанка. Затяните 2 крепежных винта с помощью ключа-шестигранника.

Указание: Перед началом работы проверьте жесткость посадки крепежных винтов. От руки покрутите ножевую головку и убедитесь, что строгальный нож нигде ничего не задевает.

Удаление пыли и стружки

Пыль некоторых материалов, как напр., красок с содержанием свинца, некоторых сортов древесины, минералов и металлов, может быть вредной для здоровья.

Прикосновение к пыли и попадание пыли в дыхательные пути может вызвать аллергические реакции и/или заболевания дыхательных путей оператора или находящегося вблизи персонала.

Определенные виды пыли, напр., дуба и бука, считаются канцерогенными, особенно совместно с присадками для обработки древесины (хромат, средство для защиты древесины). Материал с содержанием асбеста разрешается обрабатывать только специалистам.

- По возможности используйте пригодную для материала систему пылеудаления.
- Хорошо проветривайте рабочее место.

- Рекомендуется пользоваться респираторной маской с фильтром класса P2. Соблюдайте действующие в Вашей стране предписания для обрабатываемых материалов.

▶ **Избегайте скопления пыли на рабочем месте.** Пыль может легко воспламениться.

Регулярно очищайте патрубков для выброса стружки. Для очистки забившегося патрубка для выброса стружки пользуйтесь подходящим средством, напр., куском древесины, сжатым воздухом и пр.

▶ **Не вставляйте руки в патрубок для выброса опилок.** Вы можете пораниться вращающимися деталями.

Для обеспечения оптимального удаления стружки всегда используйте внешнее устройство пылеудаления или мешок для пыли/стружки.

Собственная система пылеудаления (см. рис. С)

При мелких работах можно использовать мешок для пыли/стружки. Плотно наденьте штуцер мешка для пыли на патрубок для выброса опилок. Вовремя опорожняйте мешок для пыли/стружки, чтобы поддерживать оптимальные условия для удаления пыли/стружки.

Работа с инструментом

Режимы работы

Установка глубины строгания

С помощью ручки можно плавно регулировать глубину резания в пределах 0–2 мм с помощью шкалы глубины резания.

Включение электроинструмента

Примите во внимание напряжение в сети! Напряжение источника питания должно соответствовать данным на заводской табличке электроинструмента.

Включение/выключение

▶ **Убедитесь, что Вы можете приводить в действие выключатель, не отпуская рукоятки.**

Чтобы **включить** электроинструмент, сначала нажмите блокиратор выключателя, а затем нажмите на выключатель и удерживайте его нажатом.

Чтобы **выключить**, отпустите выключатель.

Указание: Из соображений безопасности выключатель не может быть зафиксирован и при работе его следует постоянно держать нажатом.

Указания по применению

- ▶ **Перед любыми манипуляциями с электроинструментом вытаскивайте штепсель из розетки.**

Процедура строгания (см. рис. D)

Выберите требуемую глубину строгания и установите электроинструмент передней частью подошвы рубанка на заготовку.

- ▶ **Подводите электроинструмент к детали только во включенном состоянии.** В противном случае возникает опасность обратного удара при заклинивании рабочего инструмента в детали.

Включите электроинструмент и ведите его с равномерной подачей по обрабатываемой поверхности.

Для получения высококачественной поверхности работайте с низкой подачей и со средним нажимом на подошву рубанка.

При обработке твердых материалов, напр., твердой древесины и при строгании на всю максимальную ширину устанавливайте малую глубину и снижайте скорость подачи. Завышенная подача снижает качество поверхности и может привести к быстрому засорению патрубка для выброса стружки. Только острые ножи обеспечивают хорошую производительность и бережное обращение с электроинструментом.

- Включите электроинструмент.
- Сместите давление на переднюю часть подошвы рубанка и медленно продвиньте электроинструмент вперед (1). При этом опорный башмак откидывается вверх (2) и подошва задней частью опять прилегает к обрабатываемой заготовке.
- Ведите электроинструмент по обрабатываемой поверхности с равномерной подачей (3).

Скашивание кромок (см. рис. E)

V-образный паз в передней части подошвы позволяют быстро и просто снимать фаску с кромки заготовки.

Для этого поставьте рубанок V-образным пазом на кромку детали и ведите его вдоль детали.

Строгание с параллельным упором, ограничителем глубины четверти (см. рис. F–G)**Параллельный упор**

При обработке широких заготовок рекомендуется установить параллельный упор

в отверстие слева или справа. Упор позволит (при ровном крае заготовки) сострогать точно выставленную полосу от края заготовки.

Выборка четверти

Для проведения строгания с выборкой четверти, на переднюю часть рубанка (над регулируемой подошвой) необходимо закрепить в отверстие крепления параллельный упор. Сбоку к корпусу рубанка (справа или слева) крепится винтом уголок ограничителя глубины выборки, имеющий разметку по глубине выборки. По параллельному упору выставляется необходимая ширина выборки. По разметке на уголке, его подошва поднимается на необходимую глубину выборки четверти.

Проведите рубанком один раз по заготовке - выберется паз необходимой ширины на глубину установки регулятора 2. Далее необходимым числом последовательных проходов доведите глубину паза до нужной.

Техобслуживание и сервис**Техобслуживание и очистка**

- ▶ **Перед любыми манипуляциями с электроинструментом вытаскивайте штепсель из розетки.**
- ▶ **Для обеспечения качественной и безопасной работы следует постоянно содержать электроинструмент и вентиляционные щели в чистоте.**
- ▶ **Регулярно проверяйте надежность крепления и состояние ножей. При затуплении ножей замените их на новые.**

Примечание! Во избежание повышенной вибрации барабана из-за дисбаланса, ножи следует менять попарно.

Сервис

- ▶ **Ремонт вашего электроинструмента поручайте только квалифицированному персоналу и только с применением оригинальных запасных частей.** Этим обеспечивается безопасность электроинструмента.

Список авторизованных сервисных центров можно посмотреть на официальном сайте P.I.T. по ссылке: <https://pitools.ru/servises/>


Хранение и транспортировка

Сварочный аппарат следует хранить в закрытых помещениях с естественной вентиляцией при температуре от 0 до +40 °C и относительной влажности воздуха до 80%. Наличие в воздухе паров кислот, щелочей и других агрессивных примесей не допу-

скается.

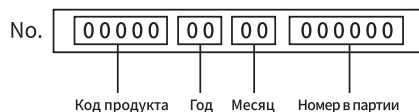
Транспортировать продукцию можно любым видом закрытого транспорта в упаковке производителя или без нее, с сохранением изделия от механических повреждений, атмосферных осадков. Перед транспортировкой извлеките аккумулятор и оснастку из электроинструмента.

Утилизация

 Отслужившие свой срок электроинструменты, принадлежности и упаковку следует сдавать на экологически чистую переработку отходов.

Утилизируйте электроинструмент отдельно от бытового мусора!

Расшифровка даты изготовления изделия



Дата изготовления изделия зашифрована в серийном номере, напечатанном на корпусе инструмента. Первые 2 цифры обозначают год выпуска, следующие 2 цифры – месяц.

УСЛОВИЯ ГАРАНТИЙНОГО ОБСЛУЖИВАНИЯ

1. Настоящее гарантийное свидетельство является единственным документом, подтверждающим ваше право на бесплатное гарантийное обслуживание. Без предъявления данного свидетельства претензии не принимаются. В случае утери или порчи гарантийное свидетельство не восстанавливается.

2. Гарантийный срок указан в гарантийном сертификате. В течение гарантийного срока сервисная служба бесплатно устраняет производственные дефекты и производит замену деталей, вышедших из строя по вине изготовителя. На период гарантийного ремонта эквивалентный исправный инструмент не предоставляется. Заменяемые детали переходят в собственность служб сервиса.

Компания P.I.T. не несет ответственности за вред, который может быть причинен при работе с электроинструментом.

3. В гарантийный ремонт инструмент принимается в чистом виде, при обязательном наличии надлежащим образом оформленных документов: настоящего гарантийного

свидетельства, гарантийного талона, с полностью заполненными полями, штампом торговой организации и подписью покупателя.

4. Гарантийный ремонт не производится в следующих случаях:

- при отсутствии гарантийного свидетельства и гарантийного талона или неправильном их оформлении;
- степень износа диаметра коллектора ротора двигателя превышает 0,4 мм (за исключением инструментов с бесщеточным двигателем);
- при совместном выходе из строя якоря и статора электродвигателя, при обугливаниях или оплавлении первичной обмотки трансформатора сварочного аппарата, зарядного или пуско-зарядного устройства, при оплавлении внутренних деталей, прожиге электронных плат и других случаях;
- если гарантийное свидетельство или талон не принадлежат данному электроинструменту или не соответствует установленному поставщиком образцу;
- по истечении срока гарантии;
- при попытках самостоятельного вскрытия или ремонта электроинструмента вне гарантийной мастерской;
- внесения конструктивных изменений и смазки инструмента в гарантийный период, о чем свидетельствуют, например, заломы на шлицевых частях крепежа корпусных деталей;
- при использовании электроинструмента в производственных или иных целях, связанных с получением прибыли, а также при возникновении неисправностей связанных с нестабильностью параметров электросети, превышающих нормы, установленные ГОСТ;
- при неправильной эксплуатации, использовании электроинструмента не по назначению, указанному в инструкции по эксплуатации, установки на электроинструмент не предназначенных заводом-изготовителем насадок, дополнительных приспособлений и т.п.;
- при механических повреждениях корпуса, сетевого шнура и при повреждениях, вызванных воздействиями агрессивных средств и высоких и низких температур, попадании инородных предметов в вентиляционные решетки электроинструмента, а также при повреждениях, наступивших в результате неправильного хранения (коррозия металлических частей);

- при естественном износе деталей электроинструмента, в результате длительной эксплуатации (определяется по признакам полной или частичной выработки ресурса, сильного загрязнения, ржавчины снаружи и внутри электроинструмента, отработанной смазки в редукторе);

- при возникновении повреждений в связи с несоблюдением предусмотренных инструкцией условий эксплуатации (см. главу «Указание по технике безопасности» в инструкции).

- при повреждении изделия вследствие несоблюдения правил хранения и транспортировки;

- при сильном внутреннем загрязнении инструмента;

- при работе с перегрузкой бензоинструмента, изменении цвета чашки и муфты сцепления в результате перегрева;

- при обрыве шнура стартера при условии исправности остальных деталей пускового устройства;

- на все виды работ, выполняемые при периодическом техническом обслуживании (регулировки, чистке, замене расходных материалов и др.);

- на неисправности, возникшие в результате нарушения требований и правил эксплуатации, установленным паспортом изделия. Например, перегрев изделия, несоблюдение требований к составу и качеству топливной смеси, повлекших выход из строя поршневой группы (безусловным признаком этого является залегание поршневого кольца и/или наличие царапин и потертостей на внутренней поверхности цилиндра и поверхности поршня, разрушение или оплавление опорных подшипников шатуна и поршневого пальца);

- на внешние и внутренние загрязнения, царапины, трещины, повреждения, возникшие в процессе эксплуатации или транспортировки.

- при работе электроинструментом с перегрузкой и заклиниванием оснастки, о чем свидетельствуют задиры, изменение цвета от температуры упорных и прижимных шайб, зажимного патрона, выхода из строя редуктора.

Профилактическое обслуживание электроинструмента (чистка, промывка, смазка, замена пыльников, поршневых и уплотнительных колец) в гарантийный период является платной услугой.

Срок службы изделия составляет 3 года.

Срок хранения – 2 года. Не рекомендуется к эксплуатации по истечении 2 лет хранения с даты изготовления, которая указана в серийном номере на этикетке инструмента, без предварительной проверки (определенные даты выпуска смотрите ранее в Руководстве пользователя).

О возможных нарушениях, изложенных выше условий гарантийного обслуживания, владельцу сообщается после проведения диагностики в сервисном центре. Владелец инструмента доверяет проведение диагностики в сервисном центре в свое отсутствие.

Запрещается эксплуатация электроинструмента при проявлении признаков повышенного нагрева, искрения, а также шума в редукторной части. Для выяснения причин неисправности покупателю следует обратиться в гарантийную мастерскую.

Неисправности, вызванные несвоевременной заменой угольных щеток двигателя, устраняются за счет покупателя.

5. Гарантия не распространяется на:

- сменные принадлежности (аксессуары и оснастка), например: аккумуляторы, диски, ножи, сверла, буры, патроны, цепи, звездочки, цанговые зажимы, шины, элементы натяжения и крепления, головки триммеров, подошвы шлифовальных и ленточных машин, фильтры, головки шестигранные сменные насадки и т.п.

- быстроизнашивающиеся детали, например: угольные щетки, приводные ремни, сальники, защитные кожухи, направляющие ролики, направляющие, резиновые уплотнения, подшипники, зубчатые ремни и колеса, стволы, ленты тормоза, храповики и тросы стартеров, поршневые кольца и т.п.

Замена их в течение гарантийного срока является платной услугой.

- шнуры питания, в случае повреждения изоляции. В данном случае потребитель должен быть уведомлен и ремонт (услуга платная) должен быть выполнен после согласия потребителя. Если потребитель не согласен на замену, то в любом ремонте этого инструмента будет отказано. Факт отказа должен быть зафиксирован в гарантийном талоне или квитанции сервисного центра и подписан владельцем.

P.I.T. WARRANTY CERTIFICATE

Product Name _____

Product Serial Number Charger Serial Number

Sale Date _____

Trade Organization Name _____



Dear customer!

Thank you for purchasing the P.I.T. tool, and we hope that you will be satisfied with your choice. In the process of manufacturing the P.I.T. tools pass multilevel quality control, if nevertheless your product will need maintenance, please contact the authorized P.I.T. service centers.

Attention!

When buying, ask a seller to check the completeness and operability of the tool, to fill out the Warranty Certificate, the Warranty Card (the boxes shall be filled out by a seller) and to affix the seal of the trade organization in the Guarantee Certificate and the Warranty Card.

Warranty

By this Warranty Certificate, P.I.T. company guarantees the absence of defects of the production nature.

In the event any of the above defects are detected during the warranty period, the specialized P.I.T. service centers shall repair the product and replace the defective spare parts free of charge.

The warranty period for P.I.T. electric machines is 12 months from the date of sale.

“The warranty maintenance terms acknowledged and accepted. The operability and completeness of the product are checked in my presence. No claims on quality and appearance.”

Buyer's Signature _____ Surname (legibly) _____

Phone _____

ГАРАНТИЙНОЕ СВИДЕТЕЛЬСТВО НА ИНСТРУМЕНТ P.I.T.

Наименование изделия _____

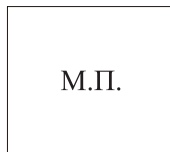
Серийный номер изделия □□□□□□□□□□

Серийный номер зарядного устройства □□□□□□□□□□

Дата продажи « ____ » _____

Наименование торговой организации _____

Уважаемый покупатель!



Благодарим Вас за покупку инструмента P.I.T. и надеемся, что Вы останетесь довольны своим выбором.

При необходимости обслуживания Вашего изделия обращайтесь в авторизованные сервисные центры P.I.T. Все сервисные центры представлены на сайте www.pittools.ru

Внимание!

При покупке требуйте у продавца проверки работоспособности инструмента и его комплектности, а также заполнения гарантийного свидетельства, гарантийного талона (графы «Заполняются продавцом») и простановки печати торговой организации в гарантийном свидетельстве и гарантийных талонах.

Гарантия

На основании данного гарантийного свидетельства компания P.I.T. гарантирует отсутствие дефектов производственного характера.

Если в течение гарантийного срока в Вашем изделии обнаружатся указанные дефекты, то специализированные сервисные центры P.I.T. бесплатно отремонтируют изделие и заменят дефектные запасные части.

Гарантийный срок на электроинструменты P.I.T. составляет 12 месяцев со дня продажи.

«С условиями гарантийного обслуживания ознакомлен(а). Работоспособность и комплектность изделия проверены в моем присутствии. Претензий к качеству и внешнему виду не имею».

Подпись покупателя _____ Фамилия (разборчиво)

Телефон _____

P.I.T. WARRANTY CARD

Name _____ Serial Number _____ Sale Date _____ 20__ Date of Receipt from Repair _____ 20__	P.I.T.		№ 1
	Name _____		Place of Seal
	Serial Number _____		
	Sale Date _____ 20__		
	(Filled out by a Seller)		
	WARRANTY REPAIR CARD		
	Date of Acceptance for Repair _____ 20__		
	Application for Repair _____		
	Customer _____		
	Phone (Address) _____		
	Cause of Application _____		
	Date of Receipt from Repair _____ 20__		
The Tool is checked in my presence _____			
(The Order shall be performed in a Service Center) (Signature)			

Name _____ Serial Number _____ Sale Date _____ 20__ Date of Receipt from Repair _____ 20__	P.I.T.		№ 2
	Name _____		Place of Seal
	Serial Number _____		
	Sale Date _____ 20__		
	(Filled out by a Seller)		
	WARRANTY REPAIR CARD		
	Date of Acceptance for Repair _____ 20__		
	Application for Repair _____		
	Customer _____		
	Phone (Address) _____		
	Cause of Application _____		
	Date of Receipt from Repair _____ 20__		
The Tool is checked in my presence _____			
(The Order shall be performed in a Service Center) (Signature)			

Name _____ Serial Number _____ Sale Date _____ 20__ Date of Receipt from Repair _____ 20__	P.I.T.		№ 3
	Name _____		Place of Seal
	Serial Number _____		
	Sale Date _____ 20__		
	(Filled out by a Seller)		
	WARRANTY REPAIR CARD		
	Date of Acceptance for Repair _____ 20__		
	Application for Repair _____		
	Customer _____		
	Phone (Address) _____		
	Cause of Application _____		
	Date of Receipt from Repair _____ 20__		
The Tool is checked in my presence _____			
(The Order shall be performed in a Service Center) (Signature)			

ГАРАНТИЙНЫЙ ТАЛОН P.I.T.

P.I.T.

Талон № 1

Наименование _____
 Серийный номер _____
 Дата продажи « ____ » _____ 20__ Place of Seal
 (Заполняется продавцом)
 КАРТА ГАРАНТИЙНОГО РЕМОНА
 Дата приема ремонт _____ 20__
 Заявка на ремонт _____
 Заказчик _____
 Телефон (адрес) _____
 Причина обращения _____
 Дата получения от ремонта _____ 20__
 Инструмент проверен в моем присутствии _____
 (Заказ заполняется в Сервисном Центре) (Подпись)

Наименование _____
 Серийный номер _____
 Дата продажи _____ 20__
 Дата получения от ремонта _____ 20__

P.I.T.

Талон № 2

Наименование _____
 Серийный номер _____
 Дата продажи « ____ » _____ 20__ Place of Seal
 (Заполняется продавцом)
 КАРТА ГАРАНТИЙНОГО РЕМОНА
 Дата приема ремонт _____ 20__
 Заявка на ремонт _____
 Заказчик _____
 Телефон (адрес) _____
 Причина обращения _____
 Дата получения от ремонта _____ 20__
 Инструмент проверен в моем присутствии _____
 (Заказ заполняется в Сервисном Центре) (Подпись)

Наименование _____
 Серийный номер _____
 Дата продажи _____ 20__
 Дата получения от ремонта _____ 20__

P.I.T.

Талон № 3

Наименование _____
 Серийный номер _____
 Дата продажи « ____ » _____ 20__ Place of Seal
 (Заполняется продавцом)
 КАРТА ГАРАНТИЙНОГО РЕМОНА
 Дата приема ремонт _____ 20__
 Заявка на ремонт _____
 Заказчик _____
 Телефон (адрес) _____
 Причина обращения _____
 Дата получения от ремонта _____ 20__
 Инструмент проверен в моем присутствии _____
 (Заказ заполняется в Сервисном Центре) (Подпись)

Наименование _____
 Серийный номер _____
 Дата продажи _____ 20__
 Дата получения от ремонта _____ 20__



www.pit-tools.com

P.I.T.

Media account

 [pit_global](#)  [PIT Global](#)  [YouTube](#) [PIT Global](#)

 +7 7073005064 +86 15305798923  bod@pit-tools.com  www.pit-tools.com/